



## USER GUIDE



# LUMBAR PUNCTURE MODEL

This product is available  
in light and dark skin tones

61000

61023

FOR MORE SKILLS TRAINING PRODUCTS VISIT

[limbsandthings.com](https://limbsandthings.com)

Sussex Street, St Philips, Bristol, BS2 0RA, UK | [sales@limbsandthings.com](mailto:sales@limbsandthings.com) | +44 (0) 117 311 0500

# INDEX

PACKAGE SUPPLIED	3
SAFETY & CLEANING INSTRUCTIONS	4
SET UP	5
• STAND	5
• CARTRIDGE	7
• SKIN PAD	9
• DURA	10
CARE & MAINTENANCE	11
AUGMENTED REALITY TRAINING (ART)	12
• SAFETY & CLEANING INSTRUCTIONS	12
• ART SET UP	13

TAKE A LOOK  
AT OUR **VIDEO**

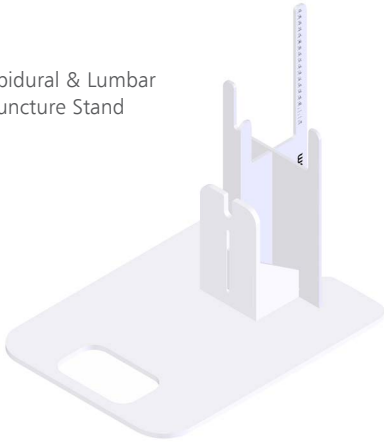


VISIT THE WEBSITE  
[limbsandthings.com](https://limbsandthings.com)

OR YOUTUBE CHANNEL  
[youtube.com/limbsandthings](https://youtube.com/limbsandthings)

PACKAGE  
SUPPLIED

Epidural & Lumbar  
Puncture Stand



Epidural & Lumbar Puncture Water Container

**61022**



Epidural & Lumbar Puncture Torso  
With Torso Skin



Lumbar Puncture Insert - Bone

**61010**



Lumbar Puncture Insert - Tissue (x2)

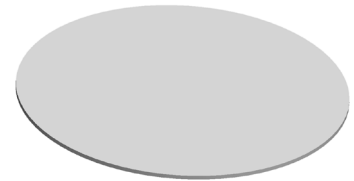
**61011**



Epidural & Lumbar Puncture Skin Pad

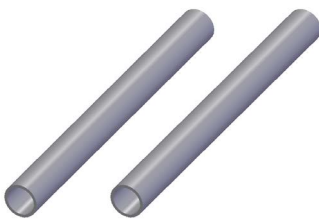
**61015**

**61027**



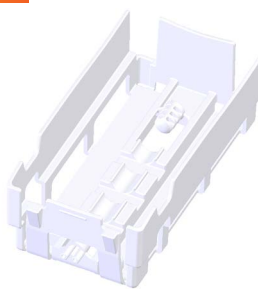
Epidural & Lumbar Puncture Standard Dura (x2)

**61017**



Epidural & Lumbar Puncture Insert Cartridge

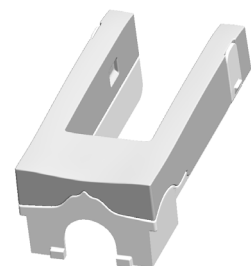
**61020**



Epidural & Lumbar Puncture Sacral Insert

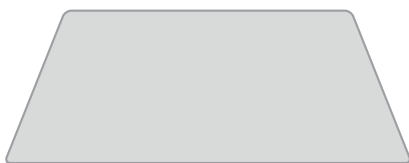
**61021**

**61028**



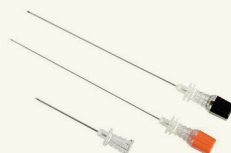
ART mat

**60130**



YOU WILL NEED (NOT SUPPLIED)

Spinal needles



Manometer



## SAFETY & CLEANING INSTRUCTIONS

READ THE SAFETY INSTRUCTIONS CAREFULLY BEFORE USING YOUR LUMBAR PUNCTURE TRAINER

### DO's



Follow all instructions. Keep these instructions. Heed all warnings.

Only use attachments/accessories specified by Limbs & Things.



Refer all servicing to qualified service personnel. Servicing is required when the apparatus has been damaged.

Drain all water from the product and clean with a damp soft cloth or sponge, using only warm water with mild detergent.



### DON'Ts



Do not install near any heat sources, do not expose the product to flames or use near naked flame sources. Do not use flammable solvents near or on this product.

Do not disassemble the product or attempt to repair a faulty unit, please return the product to Limbs & Things for assessment and repair.



Do not allow young children to use this product.

### STORAGE & TRANSPORTATION

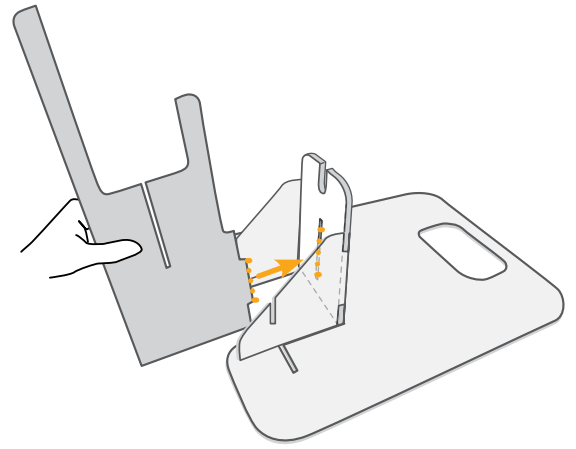
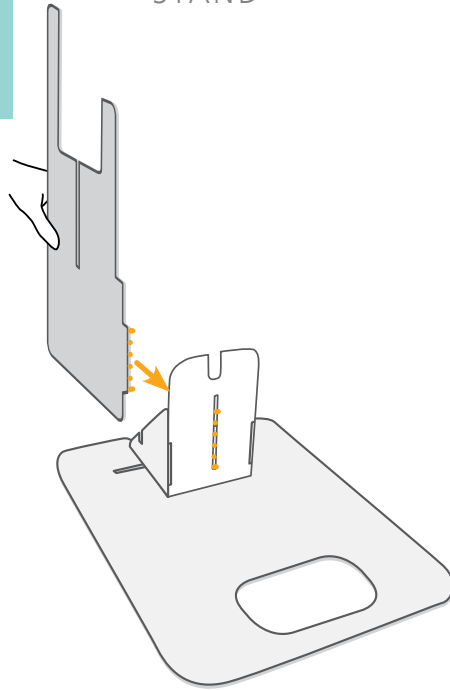


Always ensure that the products are properly packed and secured during transportation and storage in order to prevent personal injury or damage to the product.

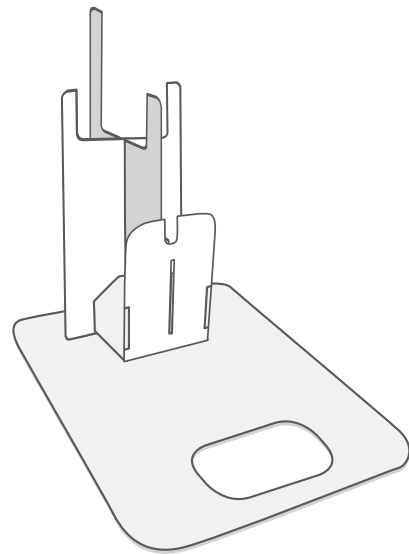
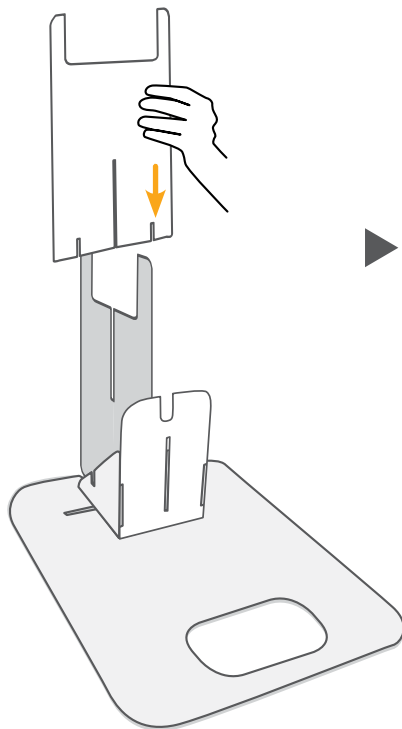
SET UP

STAND

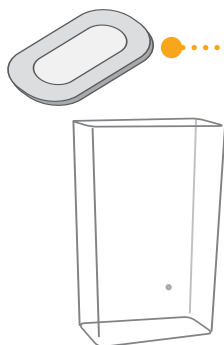
1



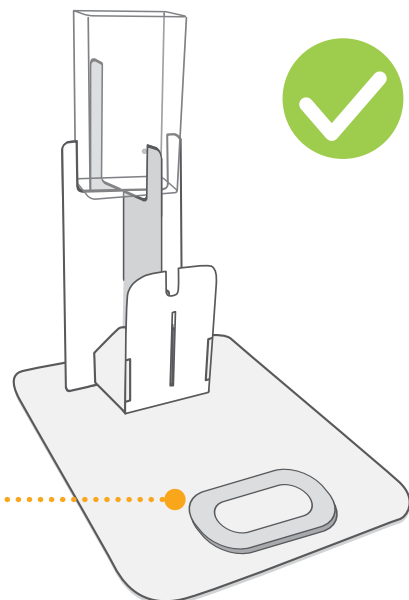
2



3



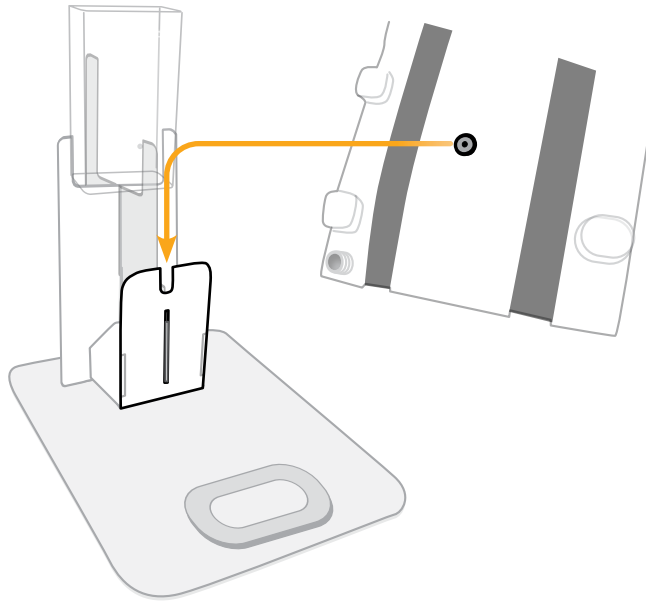
Use lid as drip tray



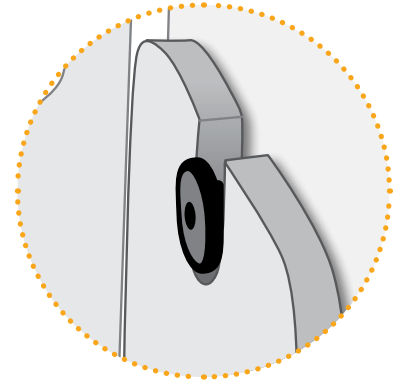
SET UP

STAND

4

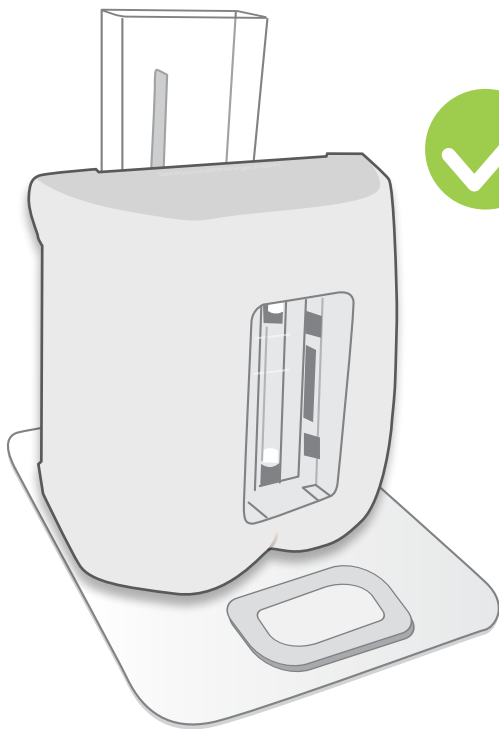


Line up back of torso with the stand and slot down.



5

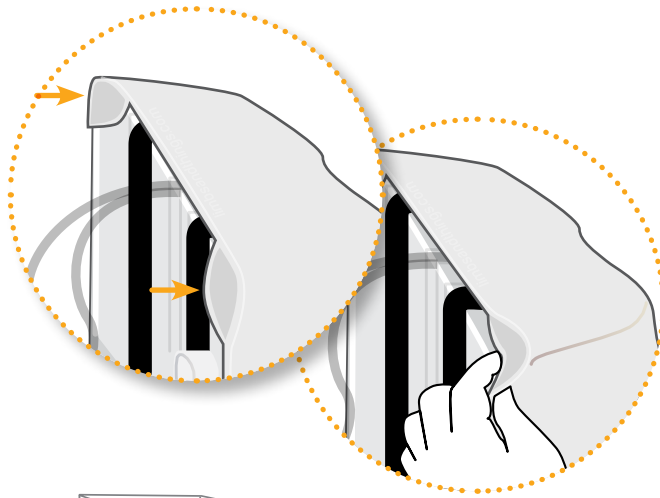
Torso can be upright or left lateral



SET UP

CARTRIDGE

1



2

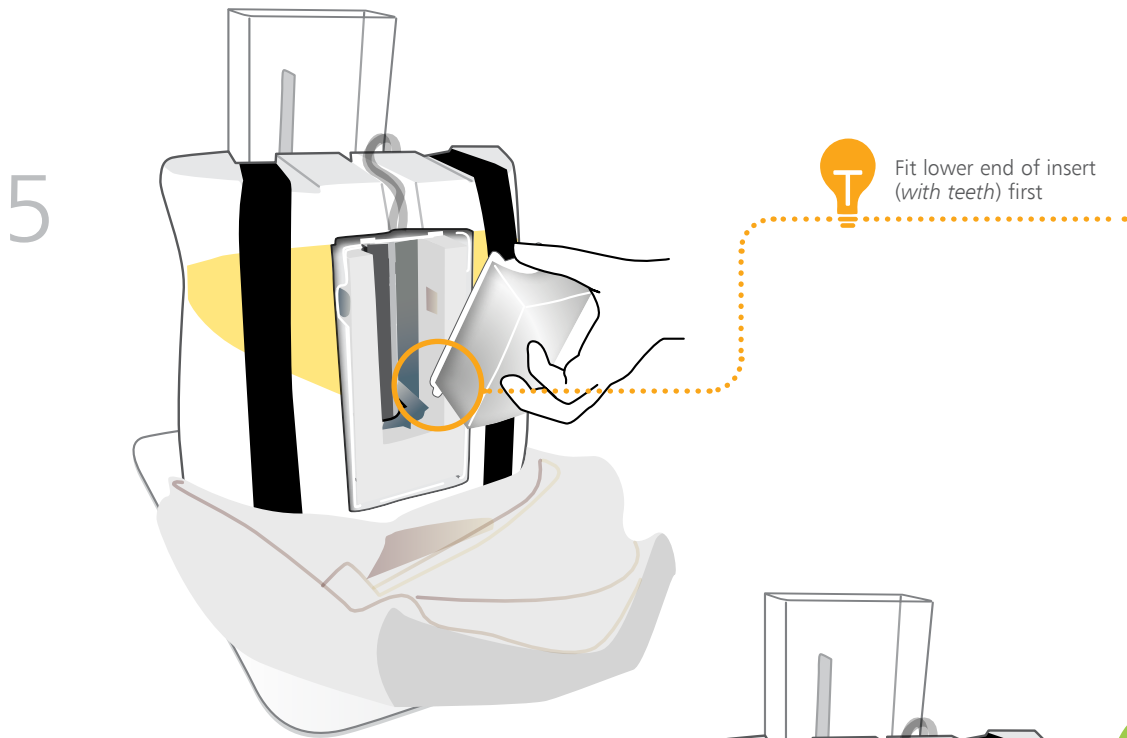


3



SET UP

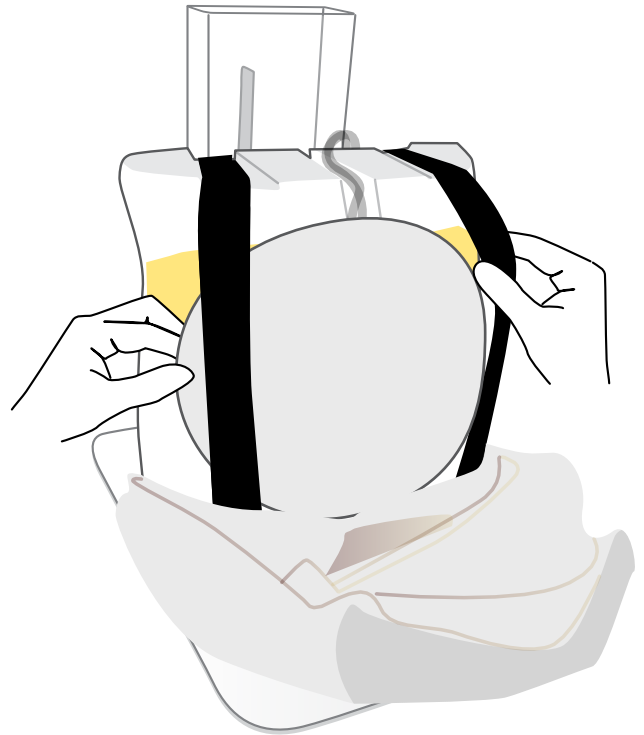
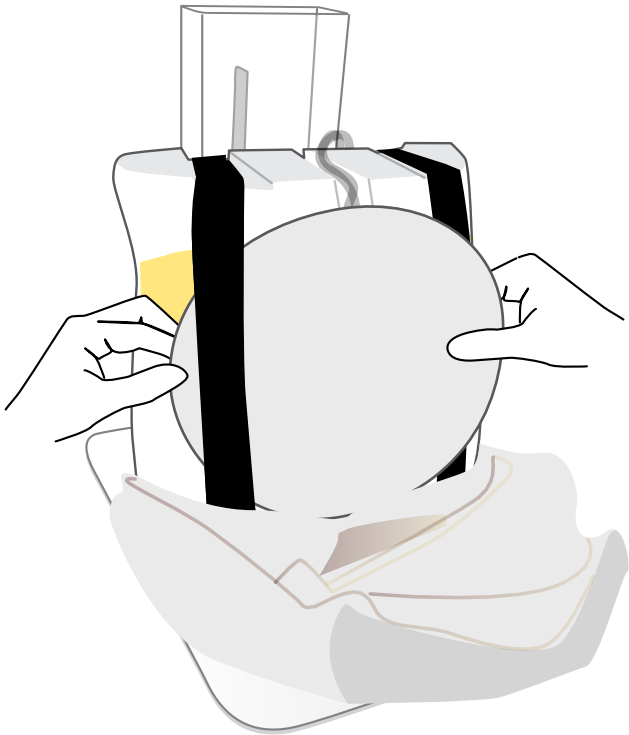
CARTRIDGE



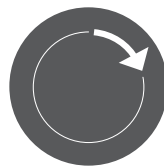


SET UP

SKIN PAD



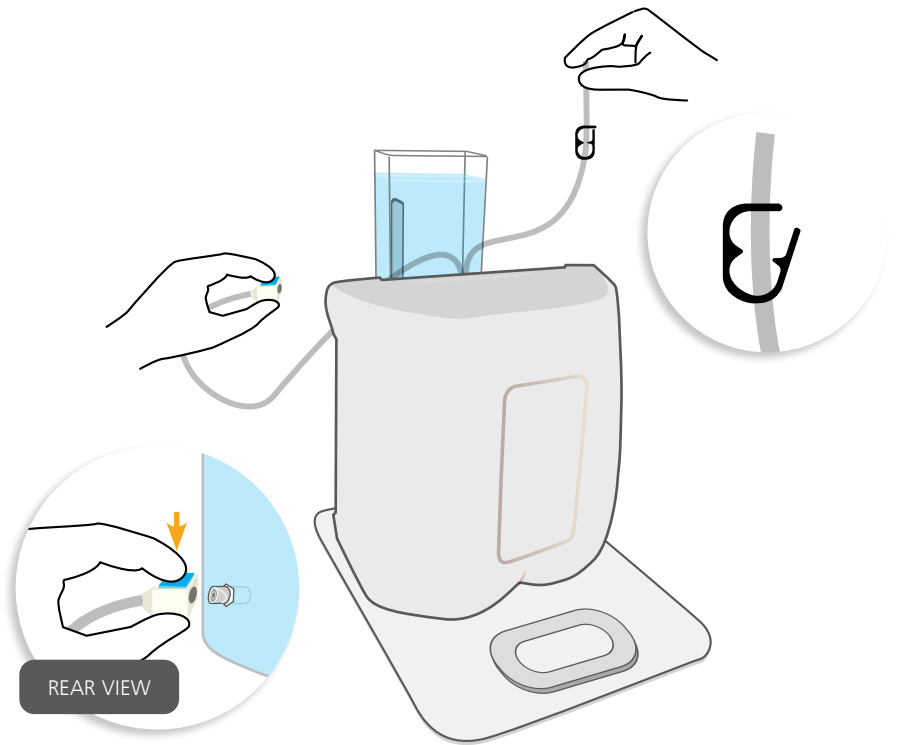
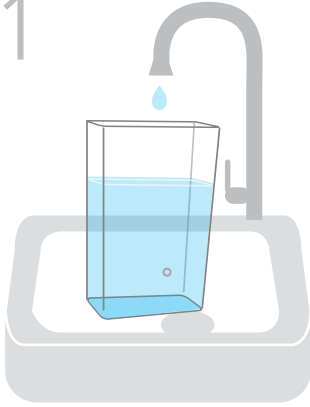
Rotating the skin provides greater usage,  
and prevents previous puncture marks locating the injection site



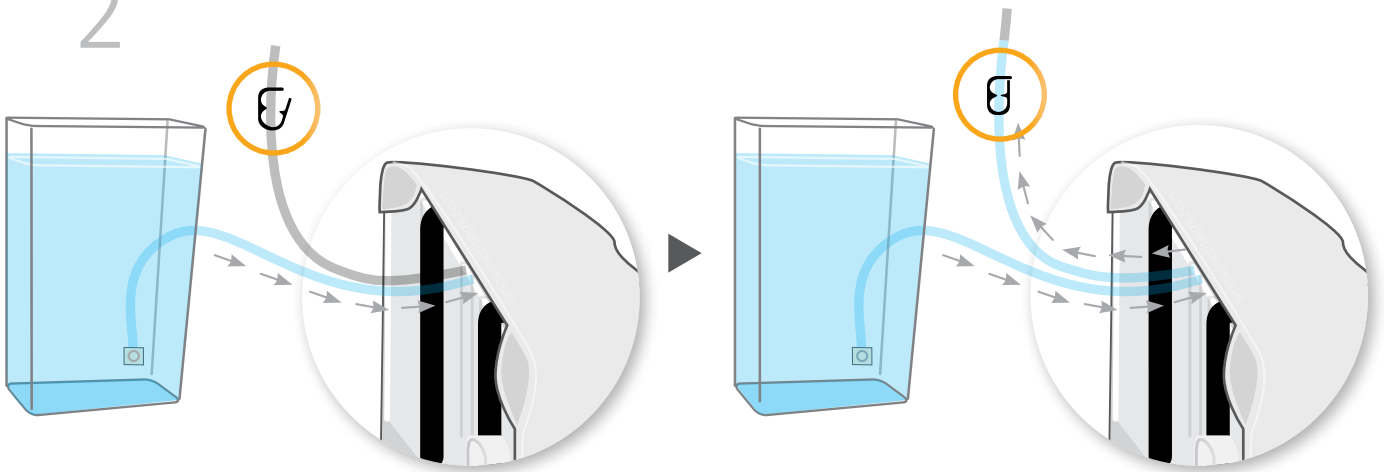
SET UP

DURA

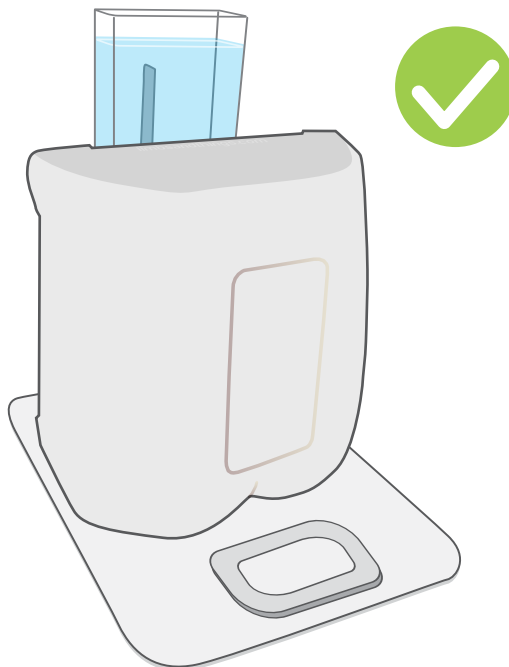
1



2

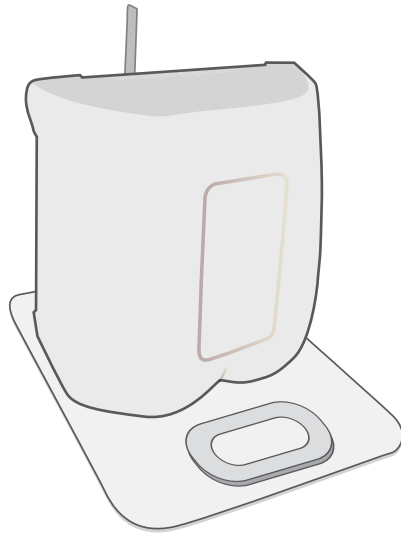


3

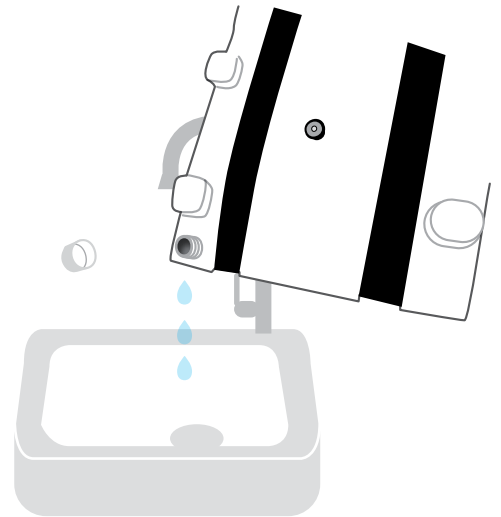


# CARE & MAINTENANCE

1



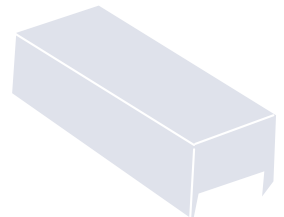
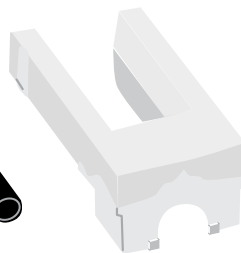
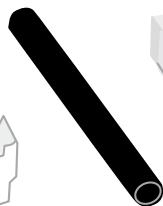
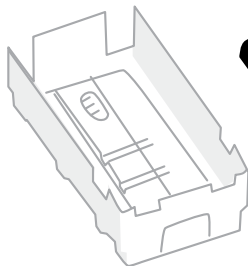
2



3



Dry all the parts with paper towel



Refit all the parts when dry



# AUGMENTED REALITY TRAINING (ART)

for your Lumbar Puncture Model

# SAFETY & CLEANING INSTRUCTIONS

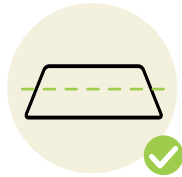
Read the safety instructions carefully before using your ART Mat

## DO's



Follow all instructions. Keep these instructions. Heed all warnings

Use mat on flat surface



Only use attachments/accessories specified by Limbs & Things

Refer all servicing to qualified service personnel. Servicing is required when the apparatus has been damaged



## DON'Ts



Do not install near any heat sources, do not expose the product to flames or use near naked flame sources. Do not use flammable solvents near or on this product

Do not set up the product near electrical appliances or items damaged by water



Do not cover the graphic of the mat with other items

Do not move the mat with a model on top of it



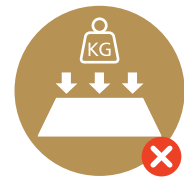
## STORAGE



Store rolled up with print on the outside



Don't fold



Don't place heavy objects on top

## CLEANING



Can be cleaned with water, soap and non-alcoholic cleaning agents



Avoid abrasive and alcoholic cleaning agents

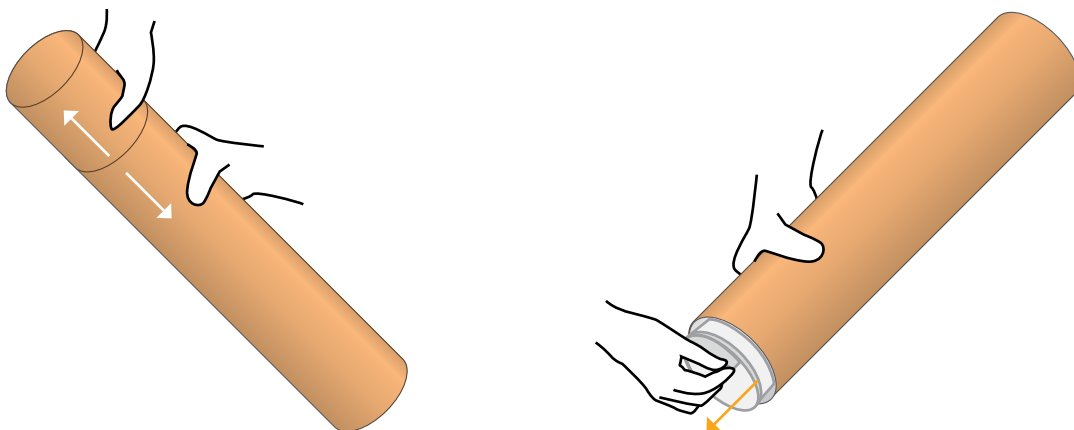


Make sure mat is dry before storing

## ART SET UP

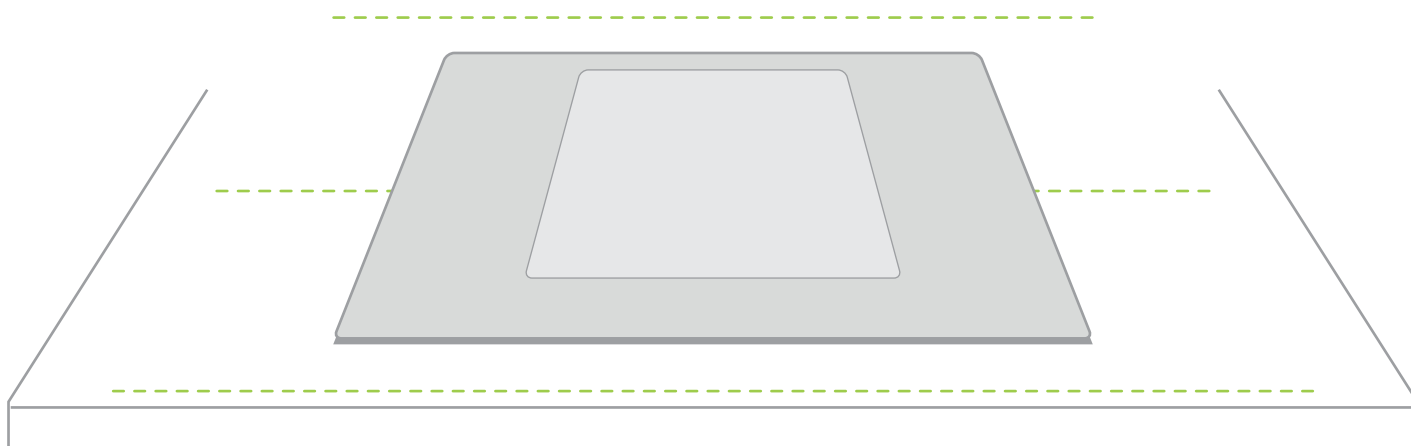
1

Take the mat out of tube



2

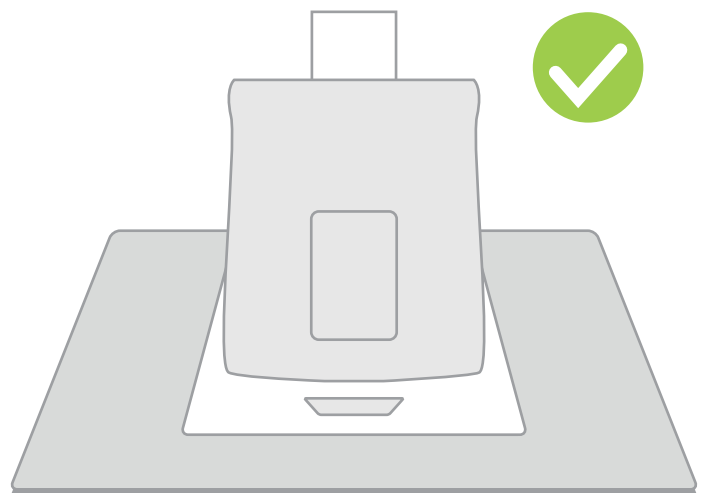
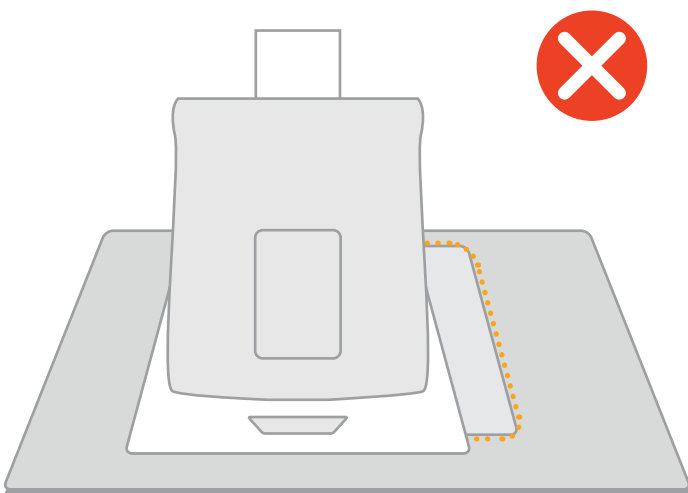
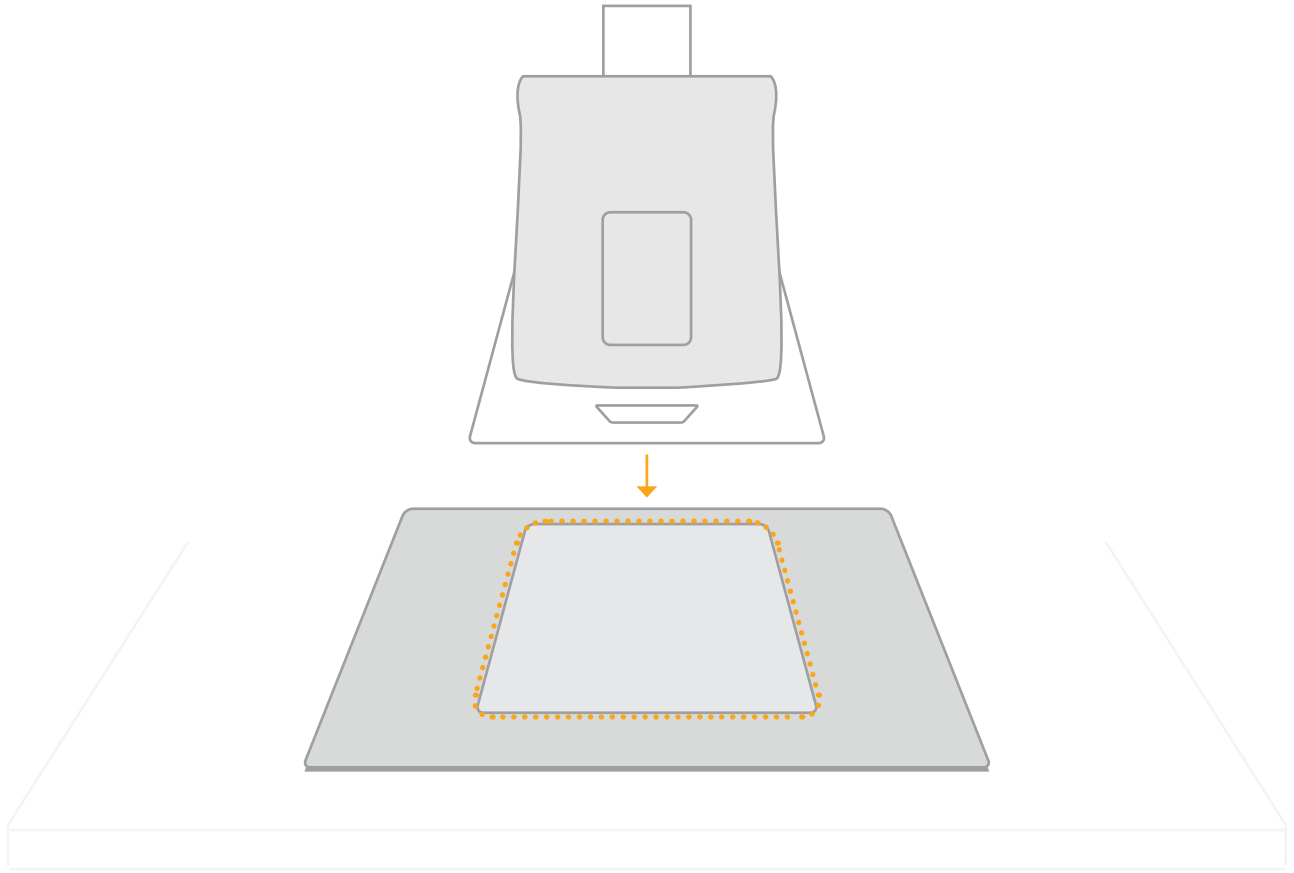
Place the mat on a table



Note: Diagrams are for illustrative purposes, your product may differ from the example shown

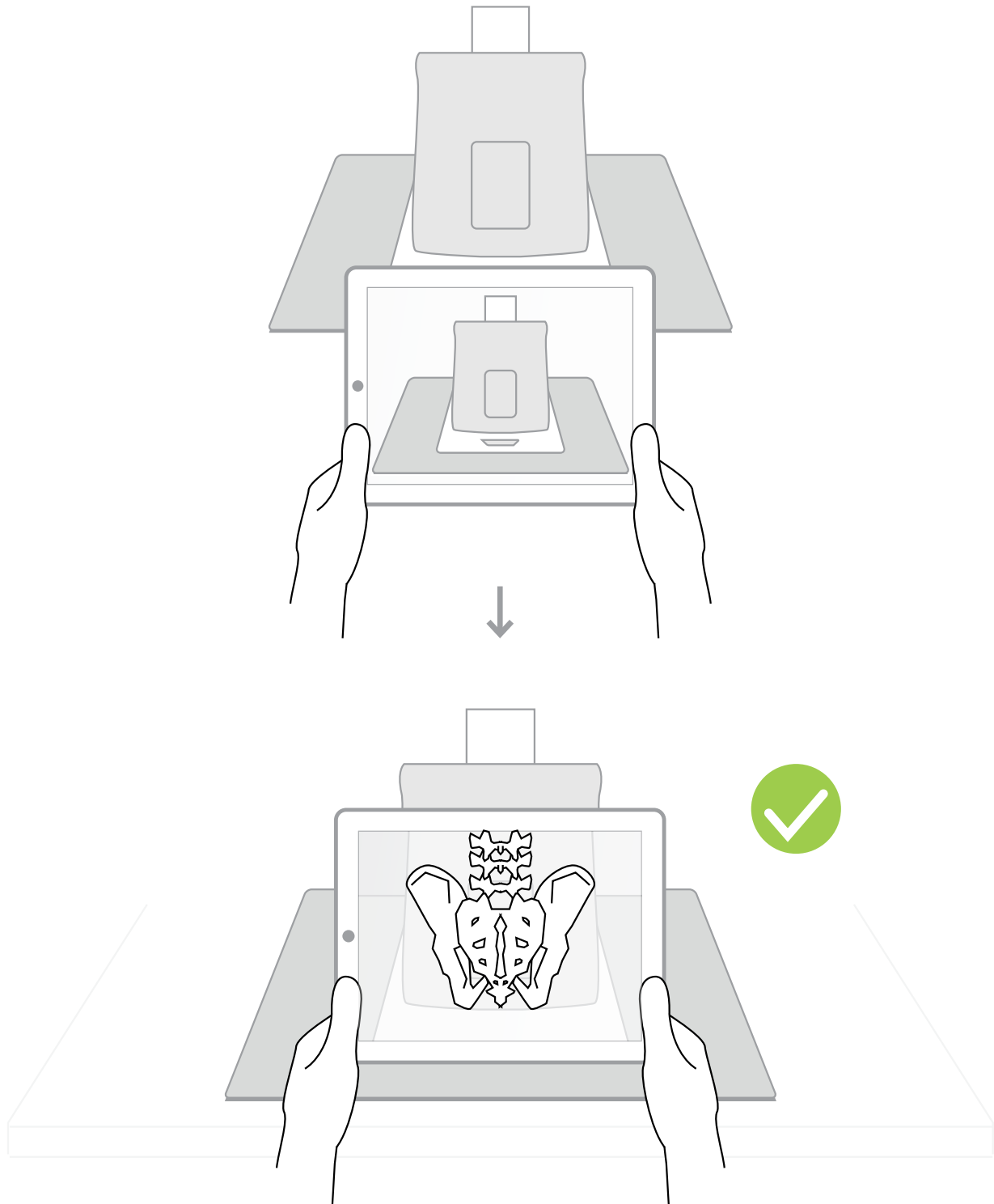
3

Place the model on the designated area of the mat



Note: Diagrams are for illustrative purposes, your product may differ from the example shown

Use the A.R.T. app to scan the mat



For app troubleshooting please visit the website.

Note: Diagrams are for illustrative purposes, your product may differ from the example shown

YOU MAY  
ALSO BE  
INTERESTED IN...

ADVANCED  
EPIDURAL  
& LUMBAR  
PUNCTURE MODEL

61001 61024



ULTRASOUND  
EPIDURAL  
& LUMBAR  
PUNCTURE MODEL

61002 61025

