



USER GUIDE



LUMBAR PUNCTURE MODEL

This product is available
in light and dark skin tones

61000

61023

FOR MORE SKILLS TRAINING PRODUCTS VISIT

limbsandthings.com

Sussex Street, St Philips, Bristol, BS2 0RA, UK | sales@limbsandthings.com | +44 (0) 117 311 0500

INDEX

PACKAGE SUPPLIED	3
SAFETY & CLEANING INSTRUCTIONS	4
SET UP	5
• STAND	5
• CARTRIDGE	7
• SKIN PAD	9
• DURA	10
CARE & MAINTENANCE	11

TAKE A LOOK
AT OUR **VIDEO**

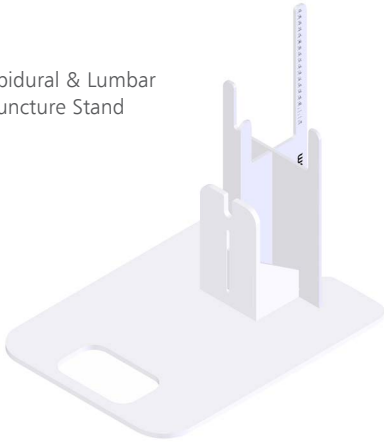


VISIT THE WEBSITE
limbsandthings.com

OR YOUTUBE CHANNEL
youtube.com/limbsandthings

PACKAGE
SUPPLIED

Epidural & Lumbar
Puncture Stand



Epidural & Lumbar Puncture Water Container

61022



Epidural & Lumbar Puncture Torso
With Torso Skin



Lumbar Puncture Insert - Bone

61010



Lumbar Puncture Insert - Tissue (x2)

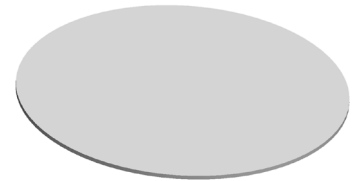
61011



Epidural & Lumbar Puncture Skin Pad

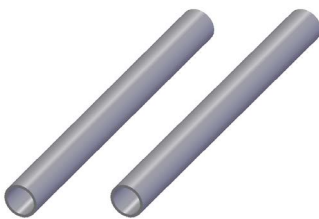
61015

61027



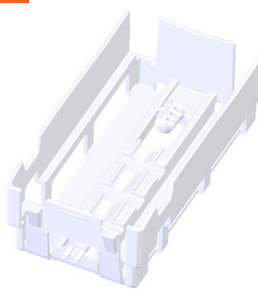
Epidural & Lumbar Puncture Standard Dura (x2)

61017



Epidural & Lumbar Puncture Insert Cartridge

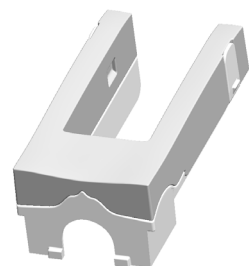
61020



Epidural & Lumbar Puncture Sacral Insert

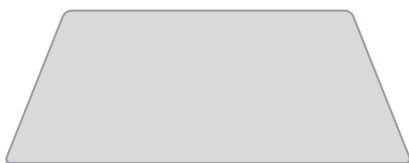
61021

61028



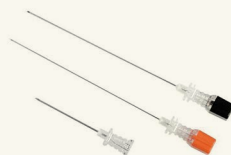
ART mat

60130



YOU WILL NEED (NOT SUPPLIED)

Spinal needles



Manometer



SAFETY & CLEANING INSTRUCTIONS

READ THE SAFETY INSTRUCTIONS CAREFULLY BEFORE USING YOUR LUMBAR PUNCTURE TRAINER

DO's



Follow all instructions. Keep these instructions. Heed all warnings.

Only use attachments/accessories specified by Limbs & Things.



Refer all servicing to qualified service personnel. Servicing is required when the apparatus has been damaged.

Drain all water from the product and clean with a damp soft cloth or sponge, using only warm water with mild detergent.



DON'Ts



Do not install near any heat sources, do not expose the product to flames or use near naked flame sources. Do not use flammable solvents near or on this product.

Do not disassemble the product or attempt to repair a faulty unit, please return the product to Limbs & Things for assessment and repair.



Do not allow young children to use this product.

STORAGE & TRANSPORTATION

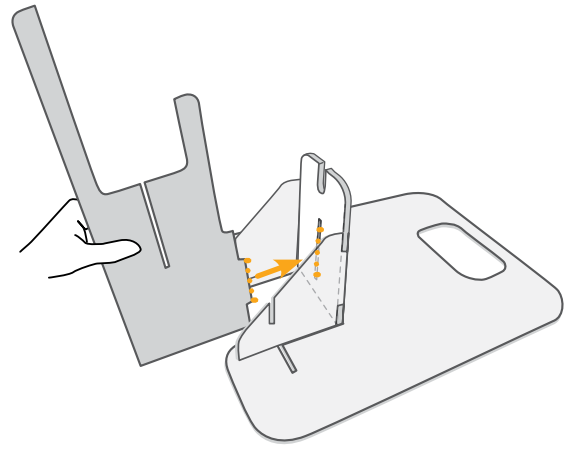
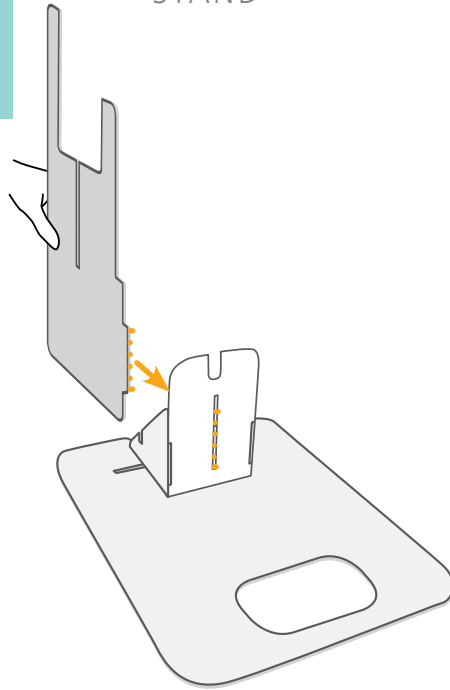


Always ensure that the products are properly packed and secured during transportation and storage in order to prevent personal injury or damage to the product.

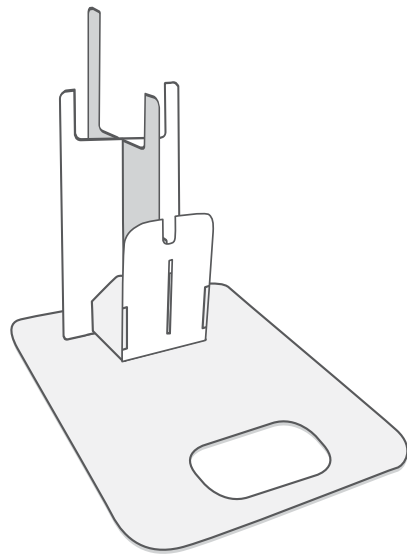
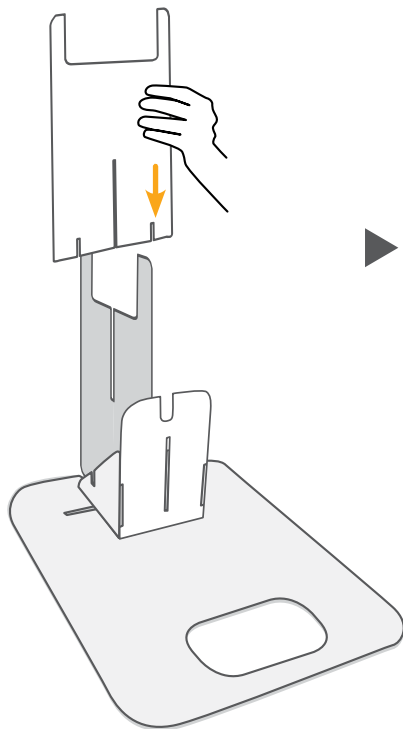
SET UP

STAND

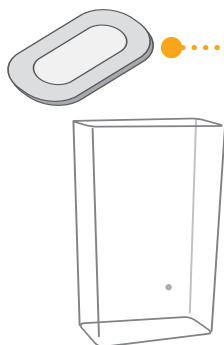
1



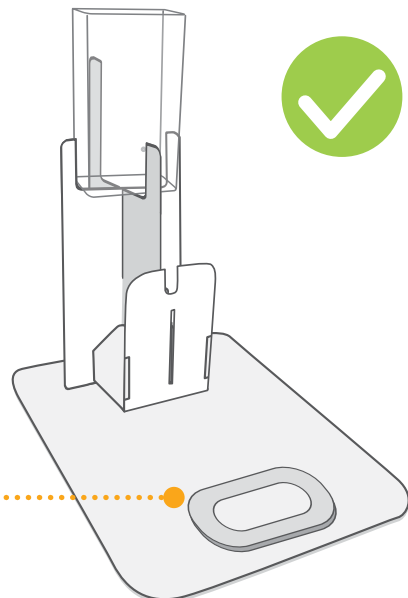
2



3



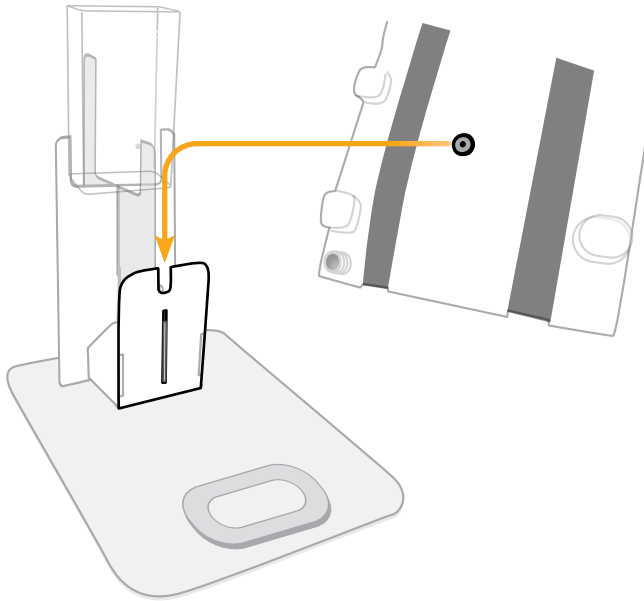
Use lid as drip tray



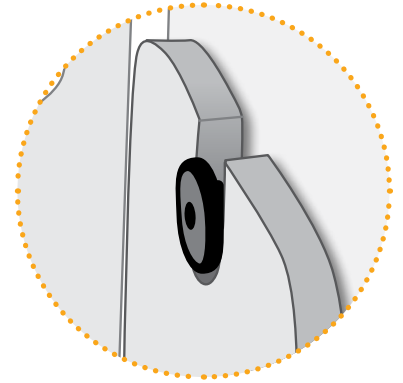
SET UP

STAND

4

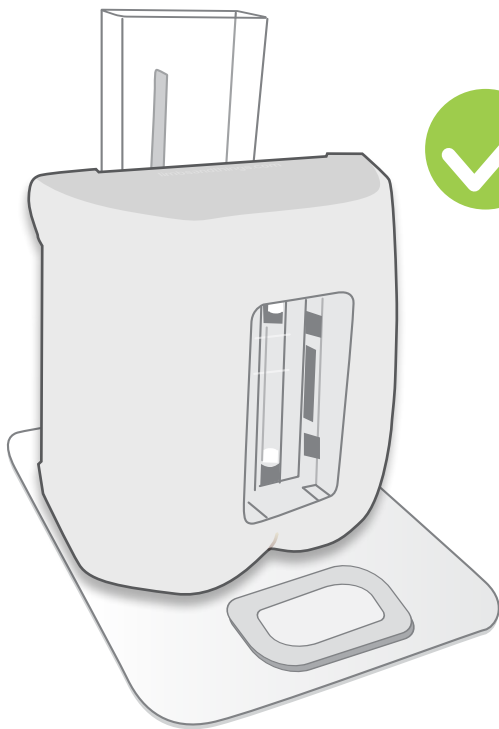


Line up back of torso with the stand and slot down.



5

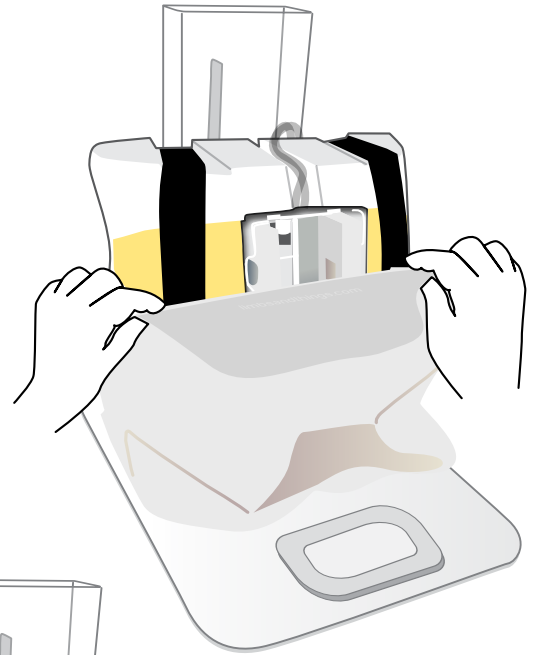
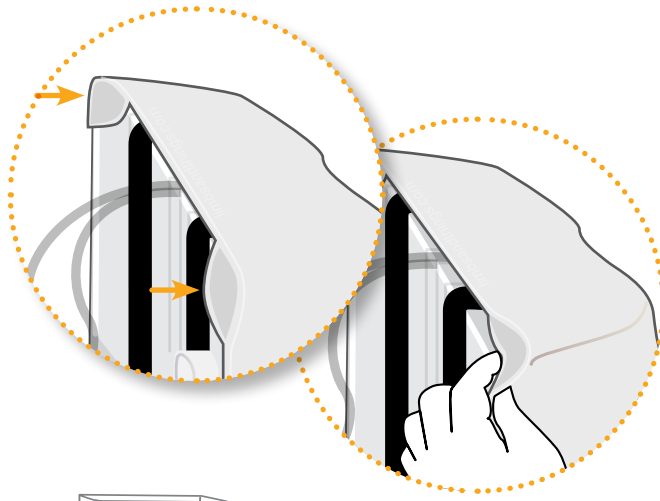
Torso can be upright or left lateral



SET UP

CARTRIDGE

1



2

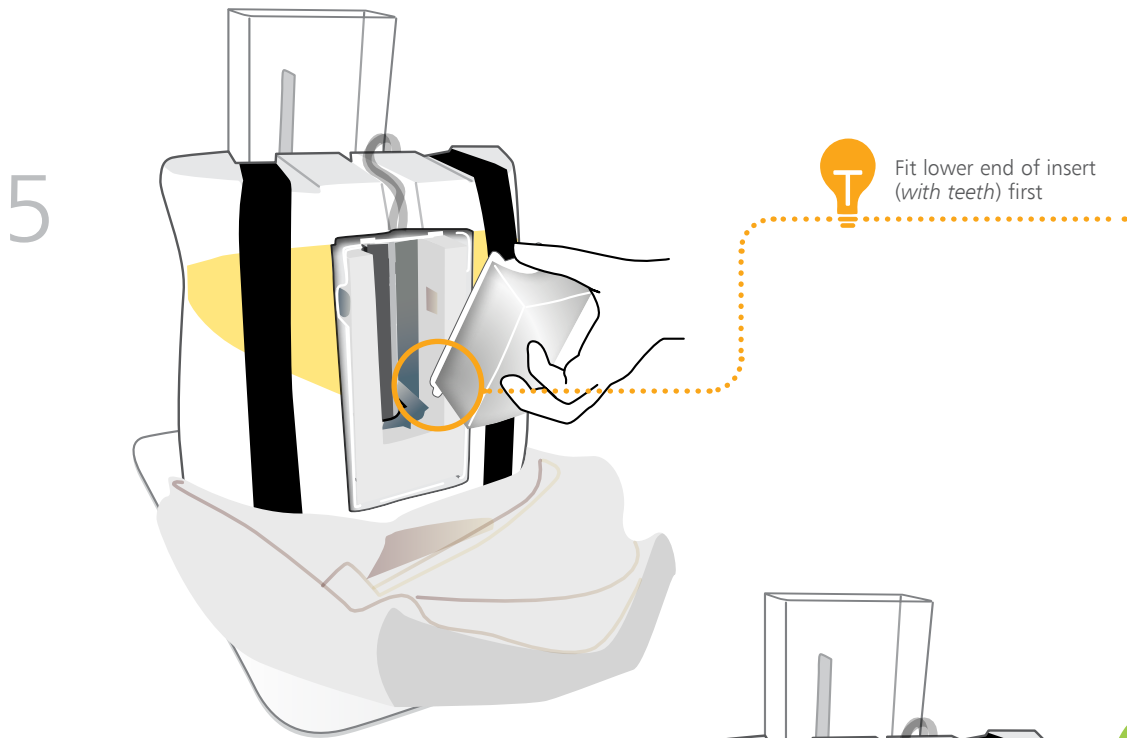


3



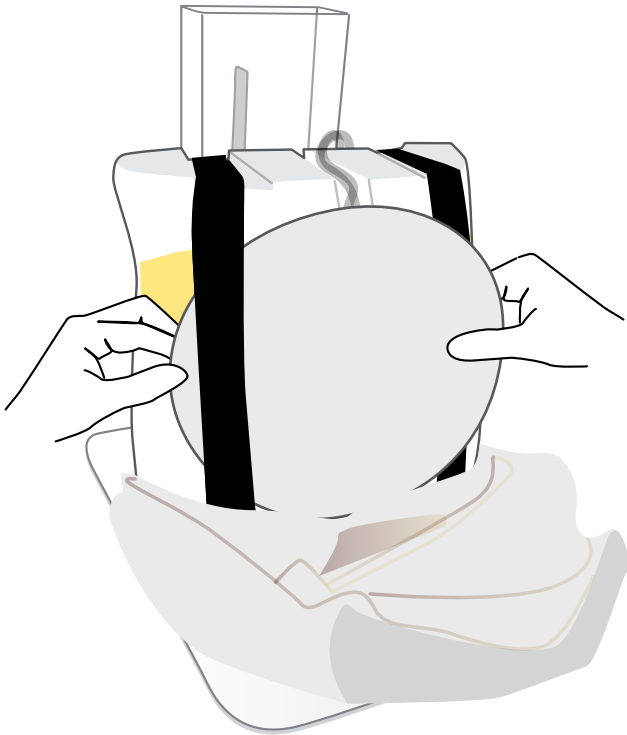
SET UP

CARTRIDGE

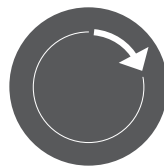


SET UP

SKIN PAD



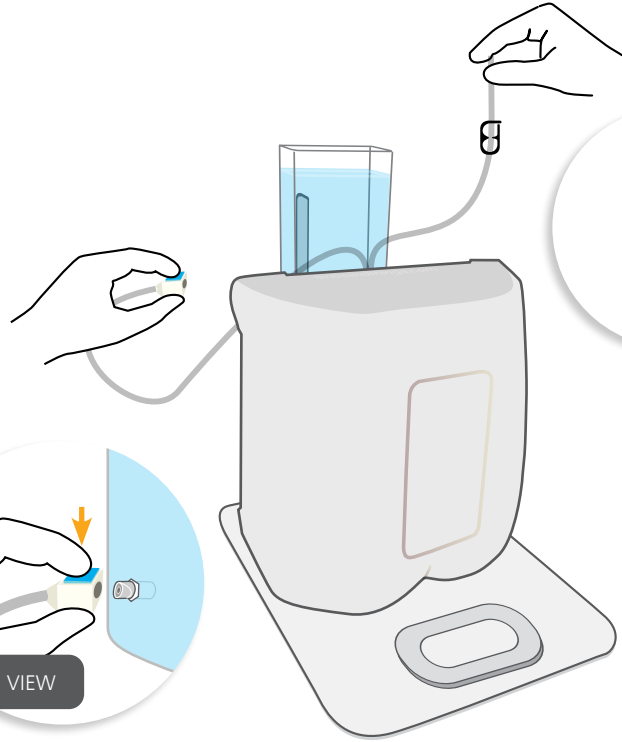
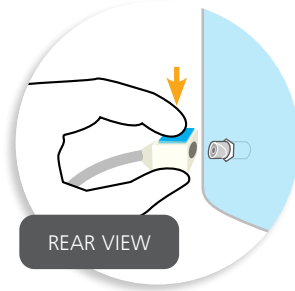
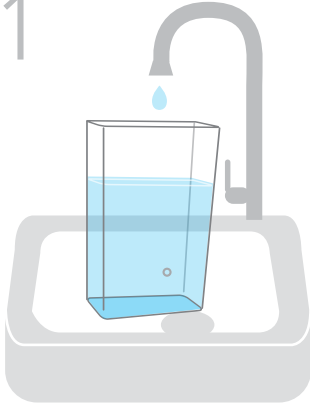
Rotating the skin provides greater usage, and prevents previous puncture marks locating the injection site



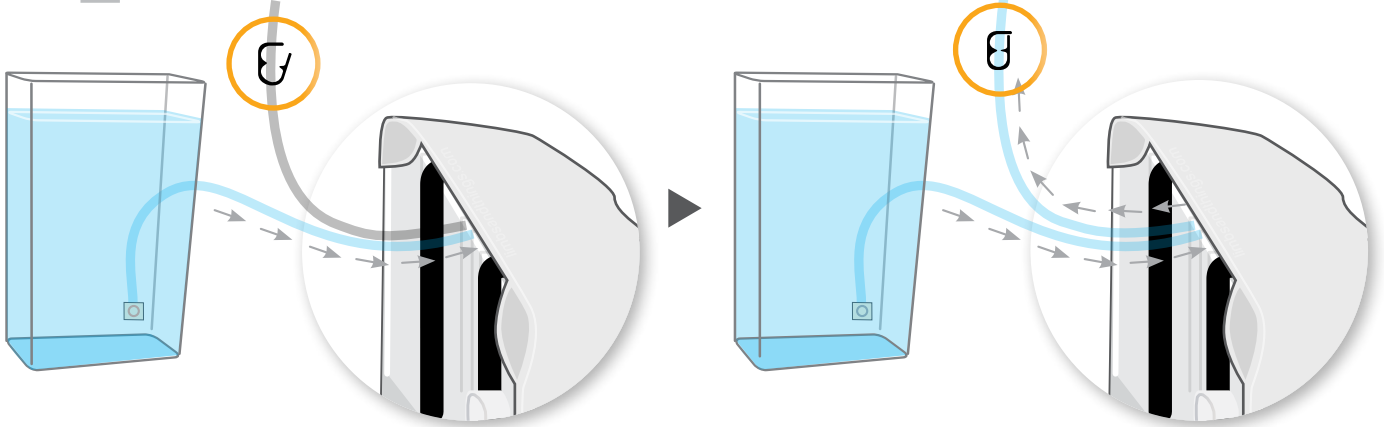
SET UP

DURA

1



2

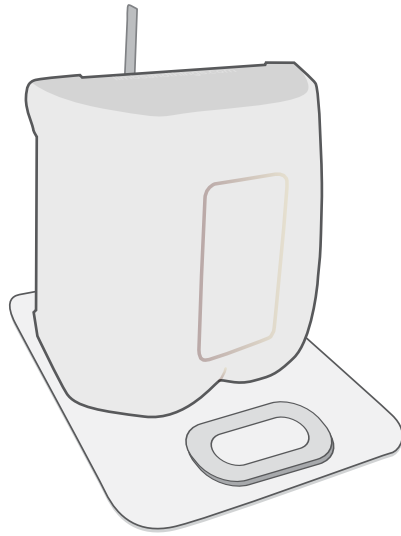


3

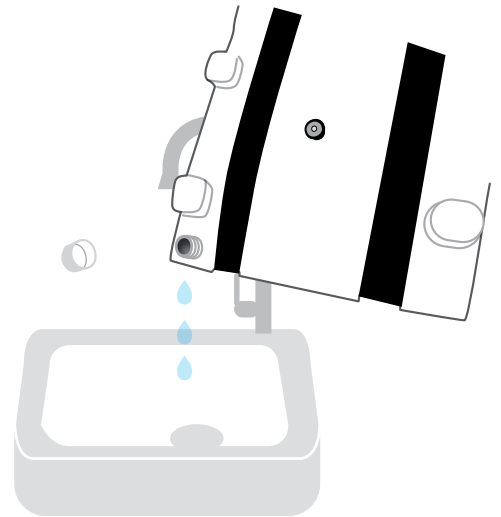


CARE & MAINTENANCE

1



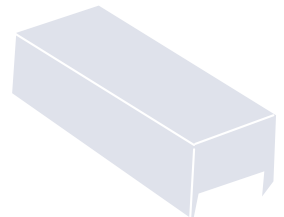
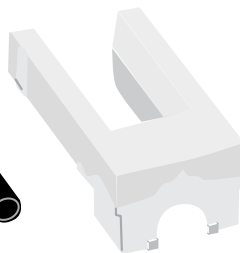
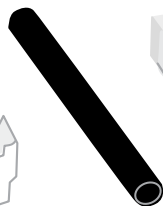
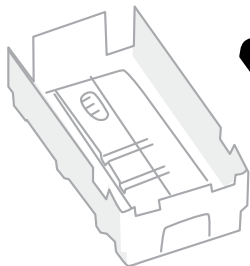
2



3



Dry all the parts with paper towel



Refit all the parts when dry

YOU MAY
ALSO BE
INTERESTED IN...

ADVANCED
EPIDURAL
& LUMBAR
PUNCTURE MODEL

61001 61024



ULTRASOUND
EPIDURAL
& LUMBAR
PUNCTURE MODEL

61002 61025

