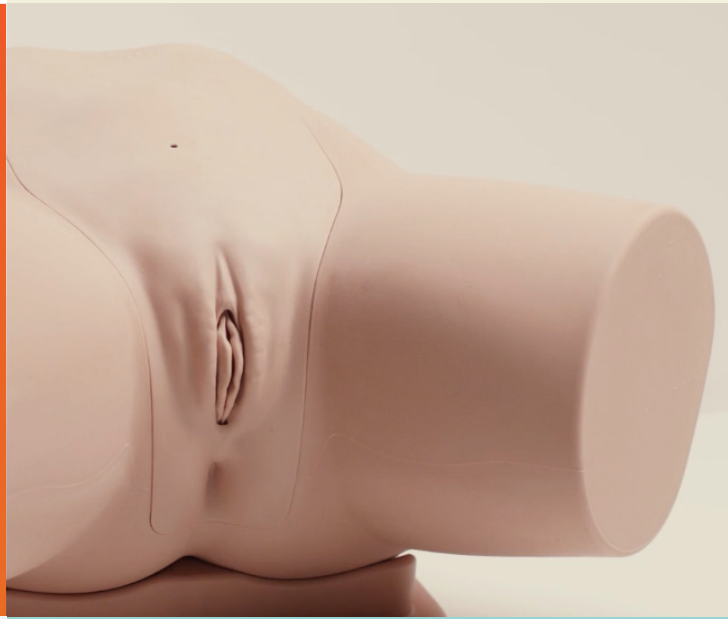




USER GUIDE



ADVANCED CATHETERIZATION TRAINER SET

60854

60872

MALE CATHETERIZATION TRAINER

60850

60870

FEMALE CATHETERIZATION TRAINER

60851

60869

FOR MORE SKILLS TRAINING PRODUCTS VISIT

limbsandthings.com

Sussex Street, St Philips, Bristol, BS2 0RA, UK | sales@limbsandthings.com | +44 (0) 117 311 0500



USER GUIDE



MALE CATHETERIZATION TRAINER

This product is available
in light and dark skin tones

60850

60870

FOR MORE SKILLS TRAINING PRODUCTS VISIT

limbsandthings.com

Sussex Street, St Philips, Bristol, BS2 0RA, UK | sales@limbsandthings.com | +44 (0) 117 311 0500

PACKAGE SUPPLIED	3
SAFETY & CLEANING INSTRUCTIONS	4
SET UP	5
• PLACING PELVIC SHELL	5
• FITTING THE FORESKIN	6
• ASSEMBLING THE WATER SYSTEM	7
• EMPTYING WATER	9
• REASSEMBLY	10

TAKE A LOOK
AT OUR **VIDEO**



VISIT THE WEBSITE
limbsandthings.com

OR YOUTUBE CHANNEL
youtube.com/limbsandthings

PACKAGE SUPPLIED

Male Catheterization Module

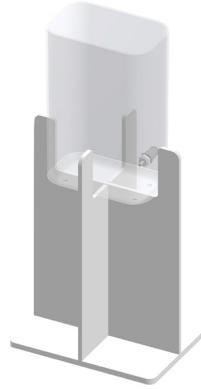
60850

60874



Water System

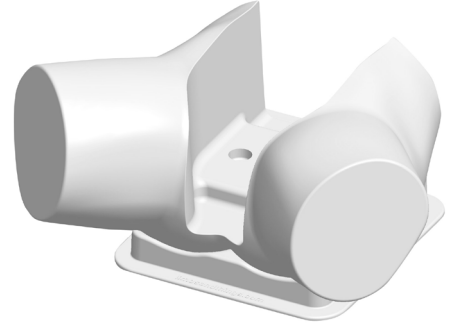
60863



Pelvic Shell & Stand

60864

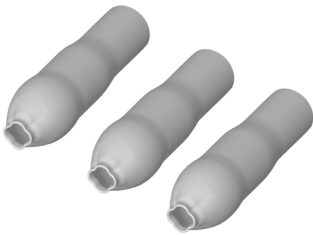
60881



Catheterization Foreskins (x3)

60859

60878



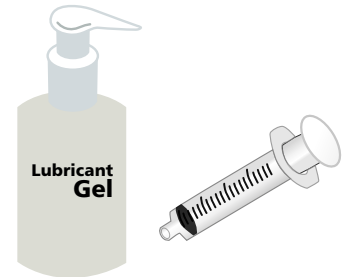
Aseptic Catheterization Sleeves (x2)

60862



Lubricant Gel with Syringe

60890

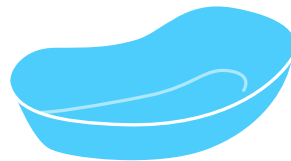


Antifungal Agent (Milton)

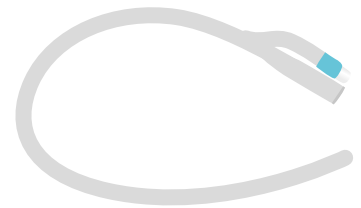
50185



Plastic Kidney Dish

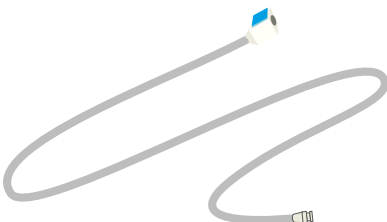


14 French Foley Catheter



Water Extension Tubing

60867



SAFETY & CLEANING INSTRUCTIONS

READ THE SAFETY INSTRUCTIONS CAREFULLY BEFORE USING YOUR CATHETERIZATION TRAINER

DO's



Follow all instructions. Keep these instructions. Heed all warnings.

Only use attachments/accessories specified by Limbs & Things.



Refer all servicing to qualified service personnel. Servicing is required when the apparatus has been damaged.

Wear gloves at all times and remove all jewellery items. Sharp surfaces such as finger nails and rings can lead to damage of silicone parts.



Use lubrication when inserting catheter.

Use only the Milton Antifungal agent supplied to sterilize water.



Use 14 French Foley catheter (male length).

Drain all water from the product and clean with a damp soft cloth or sponge, using only warm water with mild detergent.



DON'Ts



Do not install near any heat sources, do not expose the product to flames or use near naked flame sources. Do not use flammable solvents near or on this product.

Do not set up the product near electrical appliances or items damaged by water.



Do not leave catheters inserted in the Trainer.

Do not attempt to remove a catheter which has an inflated balloon.



Do not use anaesthetic gel – use mock gel supplied with trainer.

Do not disassemble the product or attempt to repair a faulty unit, please return the product to Limbs & Things for assessment and repair.

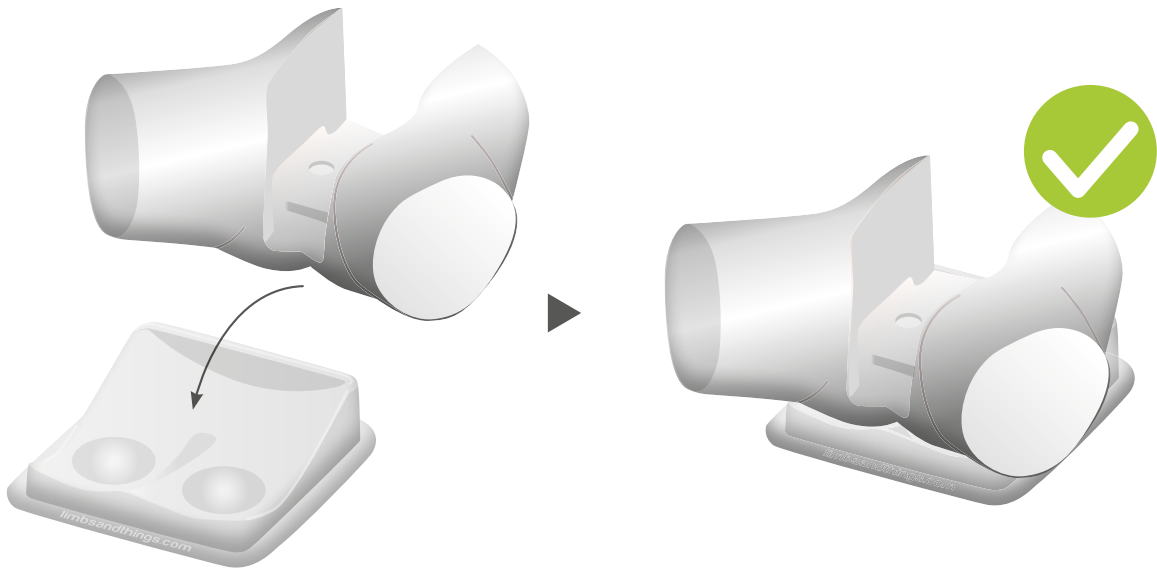


STORAGE & TRANSPORTATION

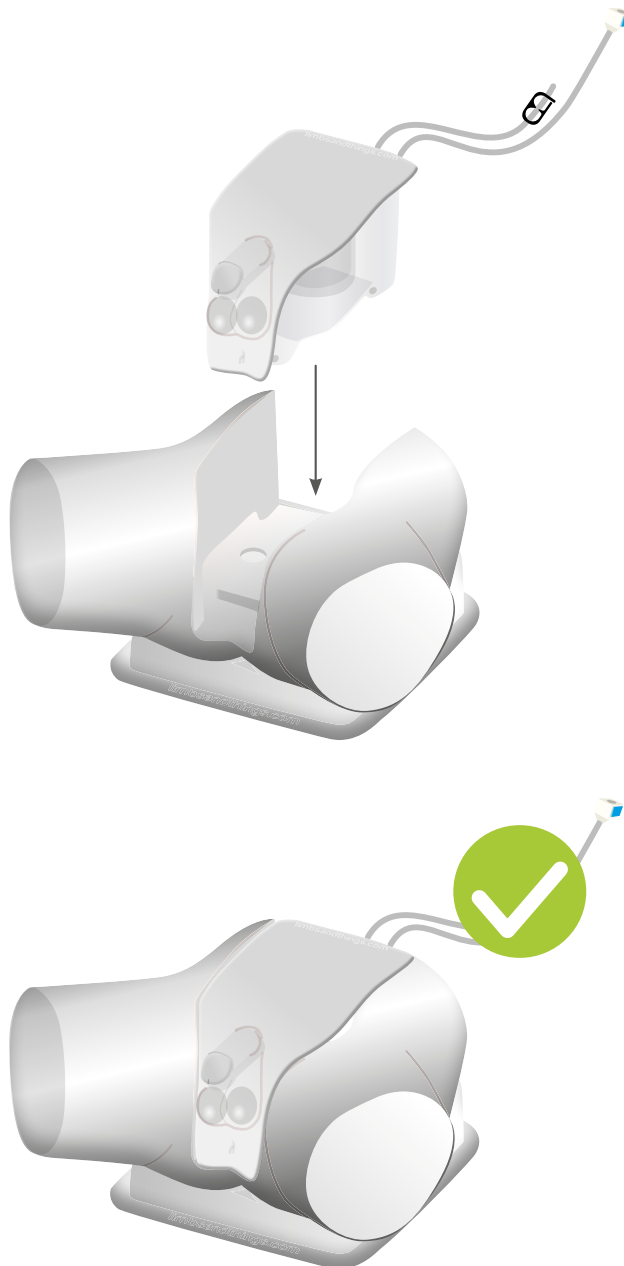


Always ensure that the product is properly packed and secured during transportation and storage in order to prevent personal injury or damage to the product.

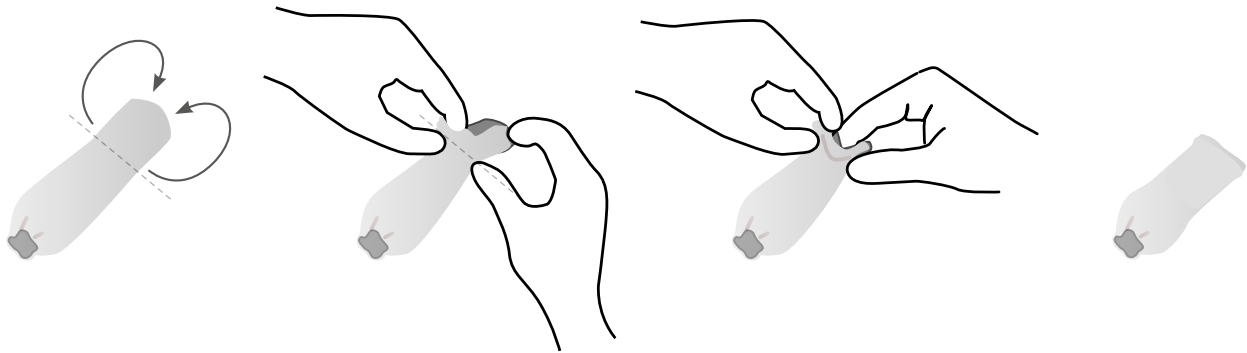
1



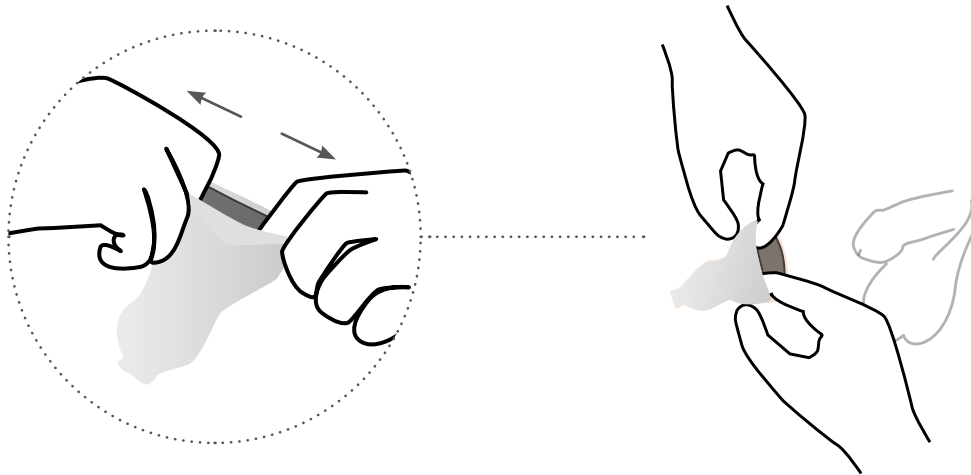
2



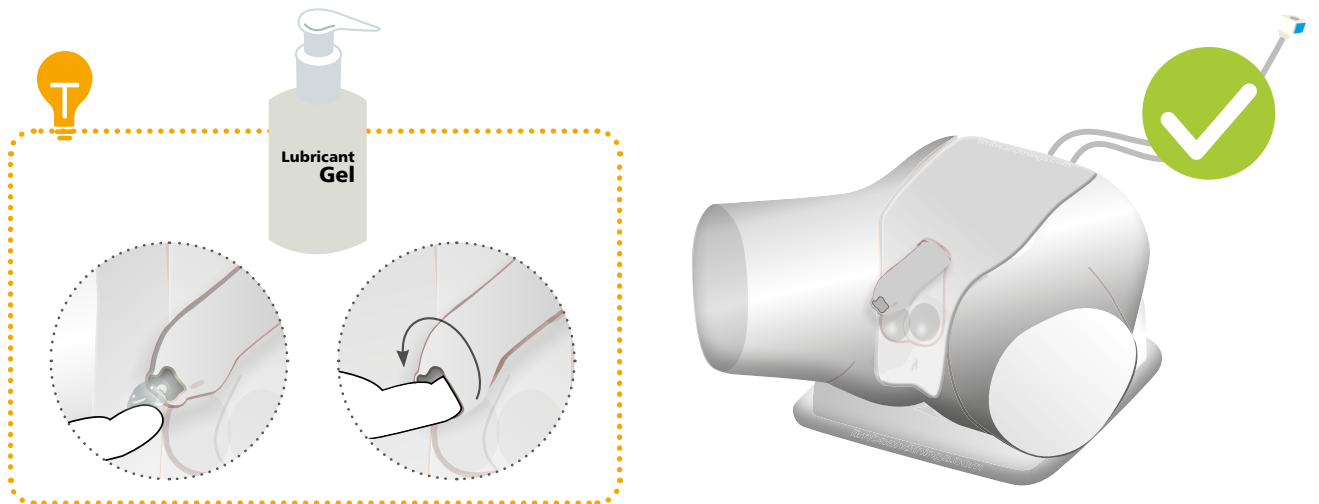
1

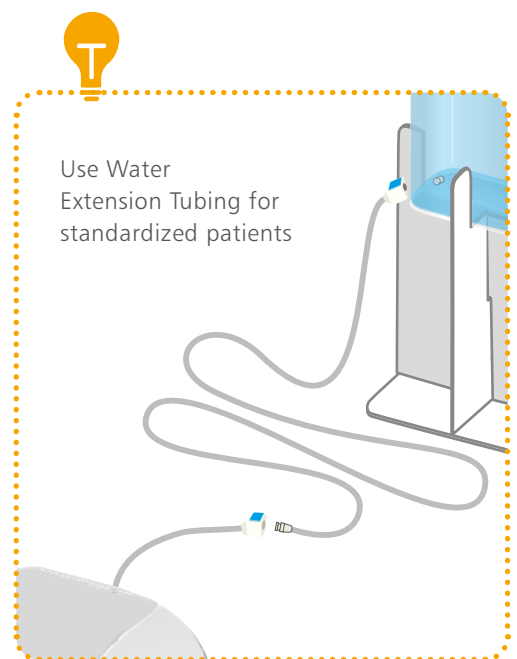
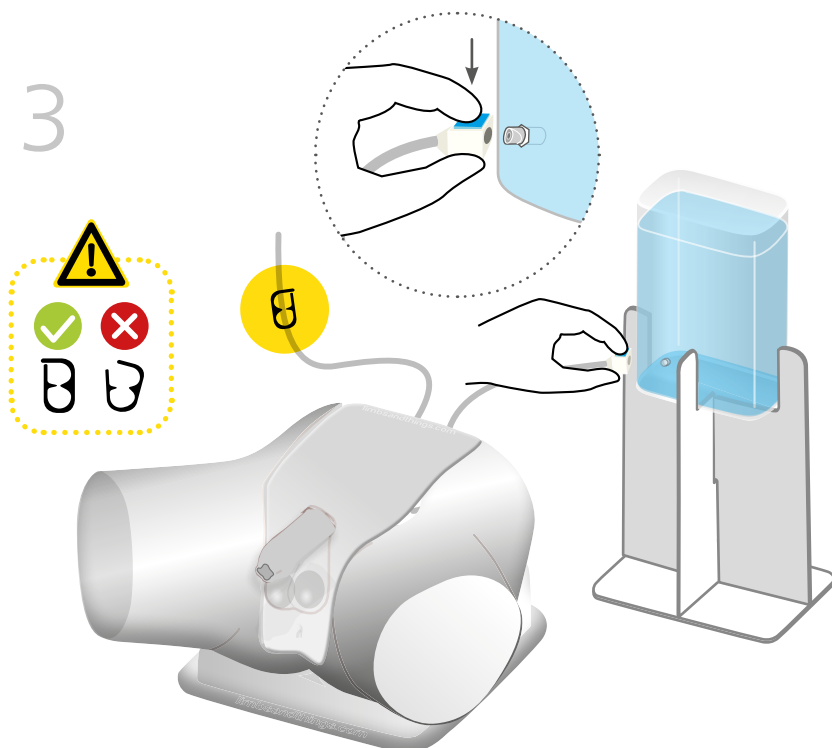
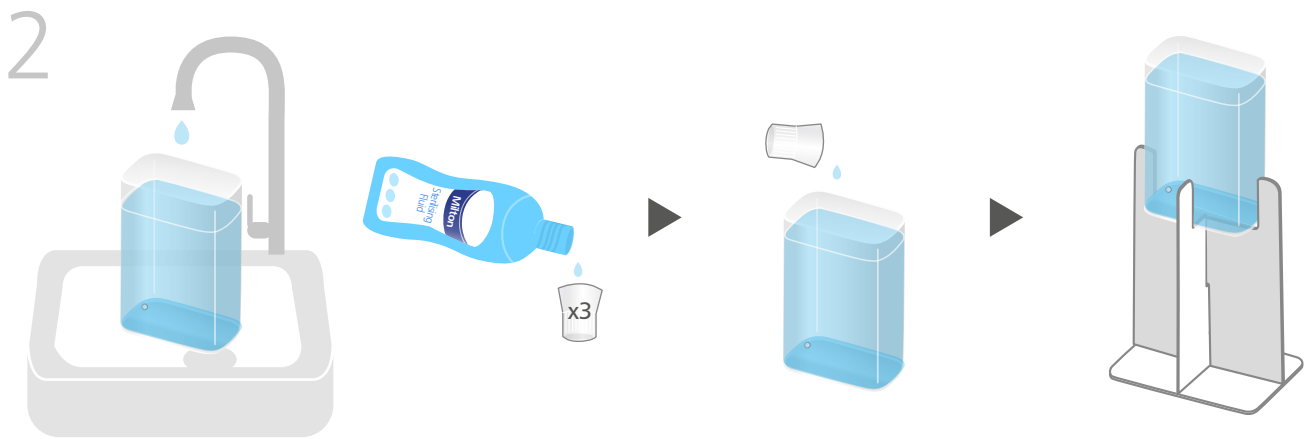
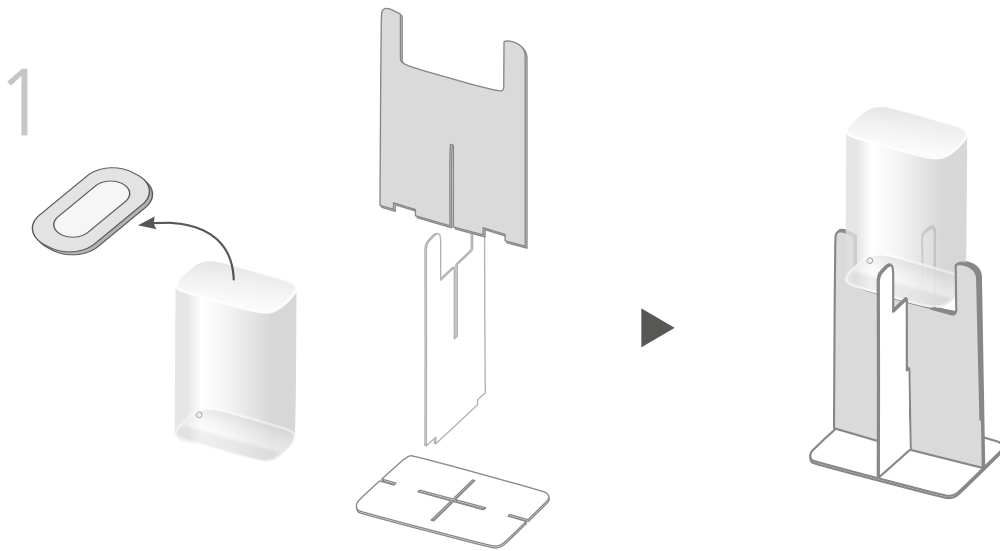


2

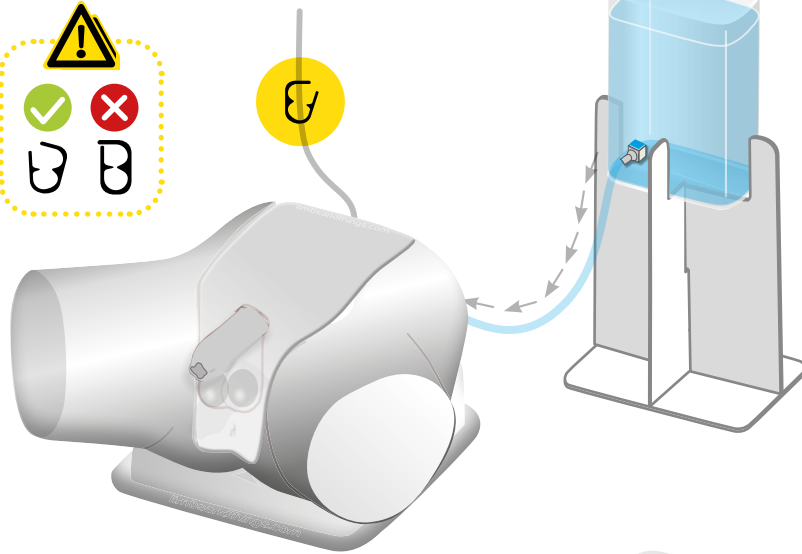


3

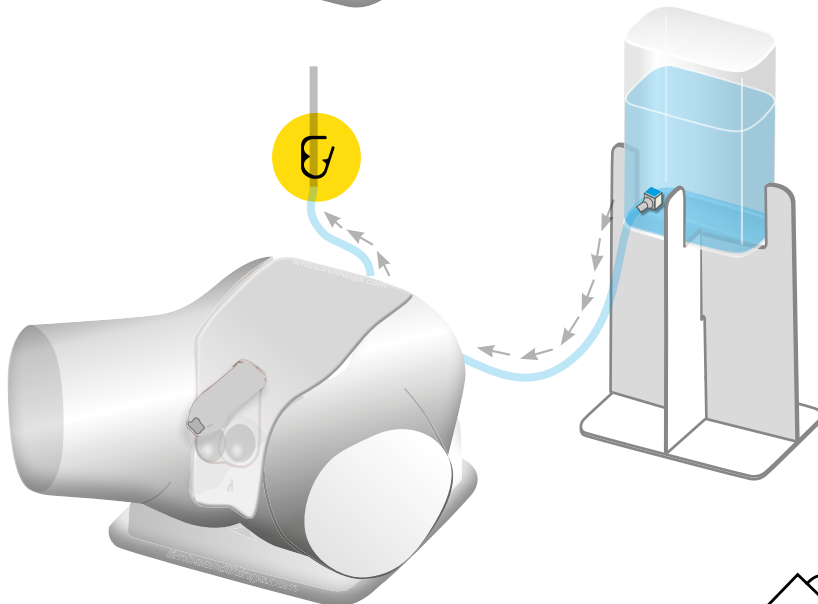




4



5



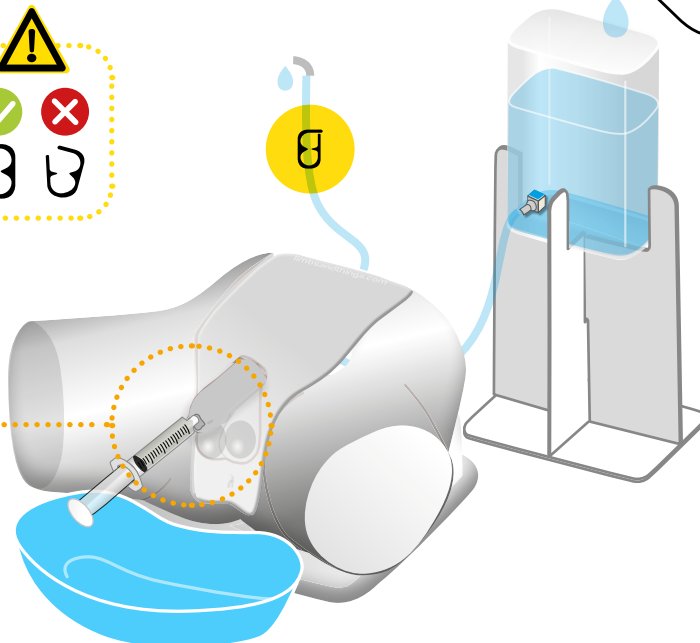
6



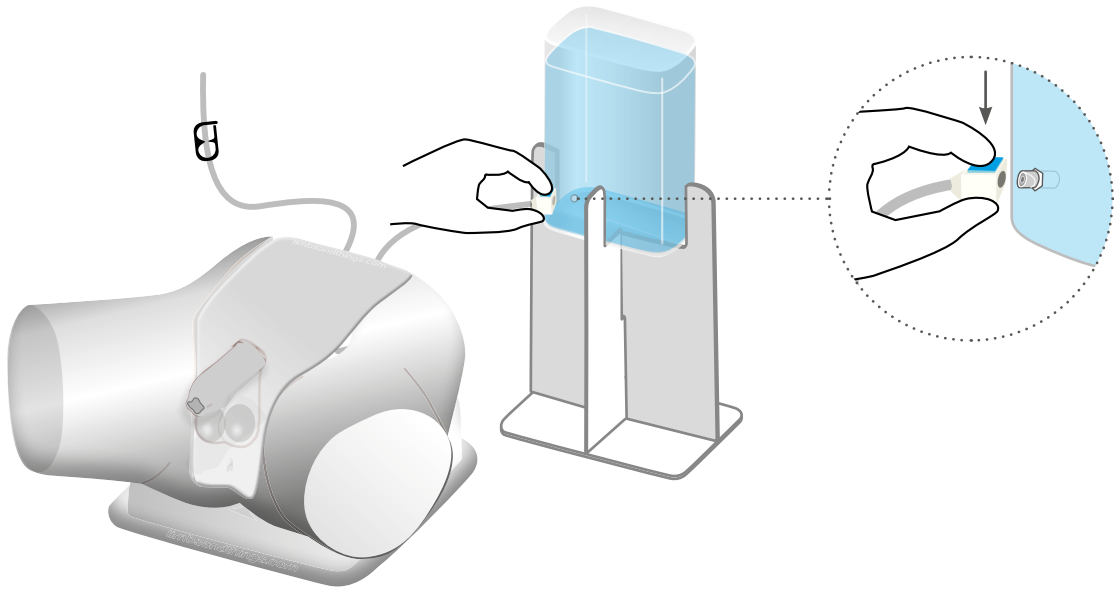
Keep water reservoir topped up



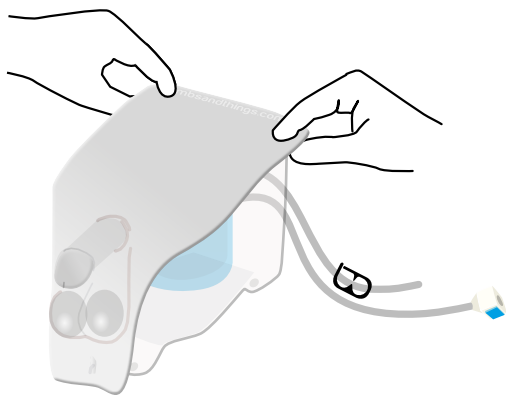
10ml



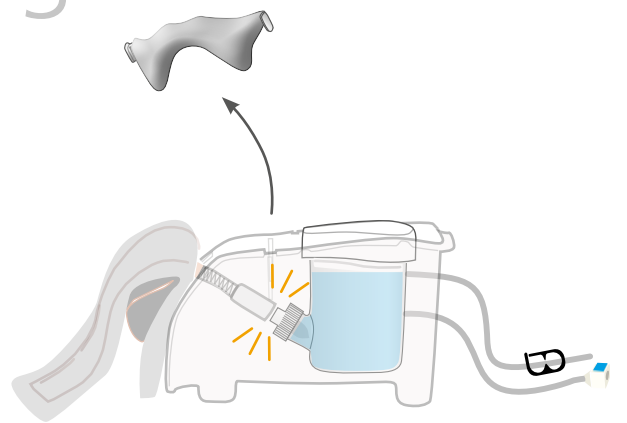
1



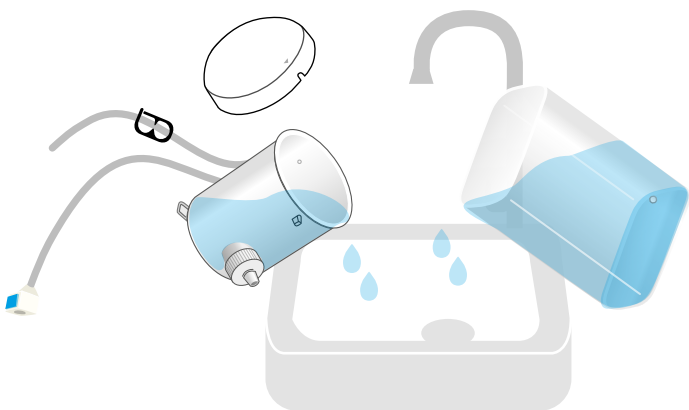
2



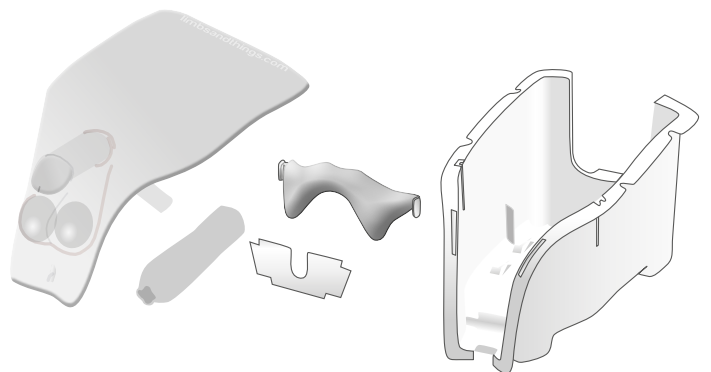
3



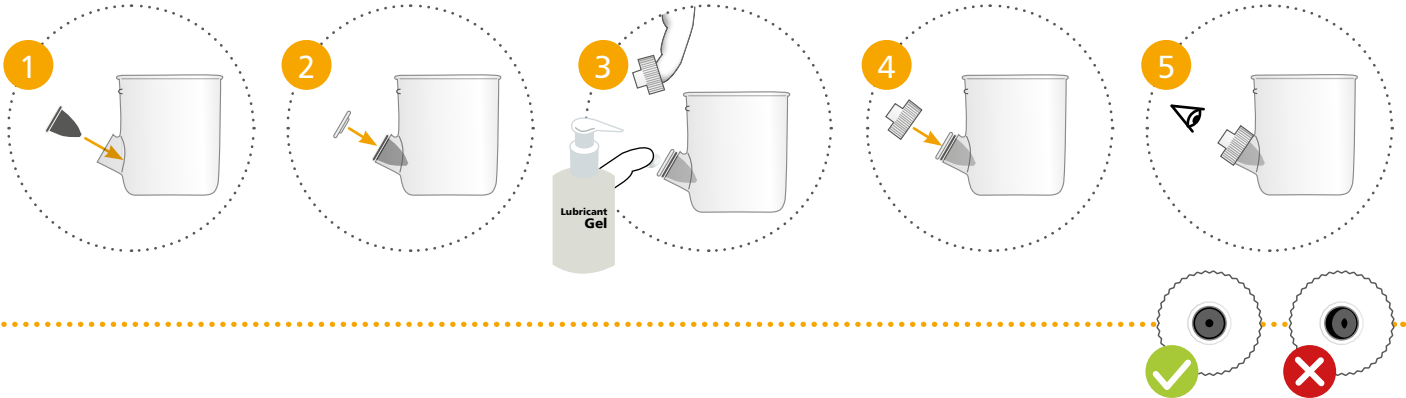
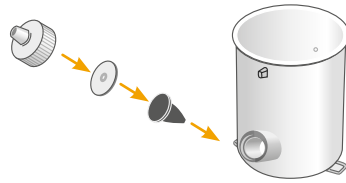
4



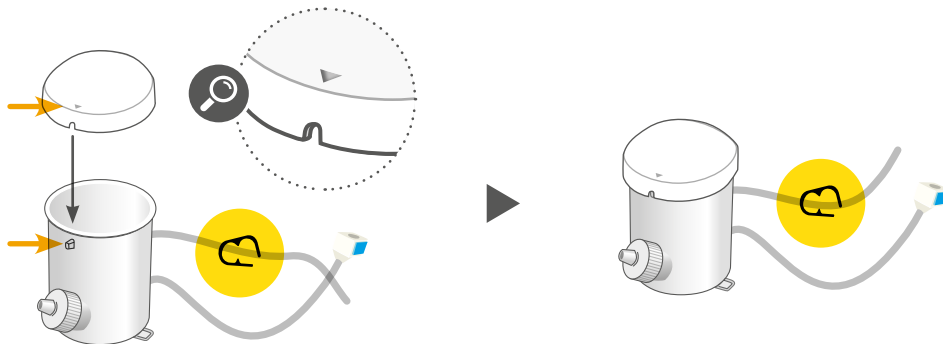
Dry all parts with paper towel
Reassemble and put in box



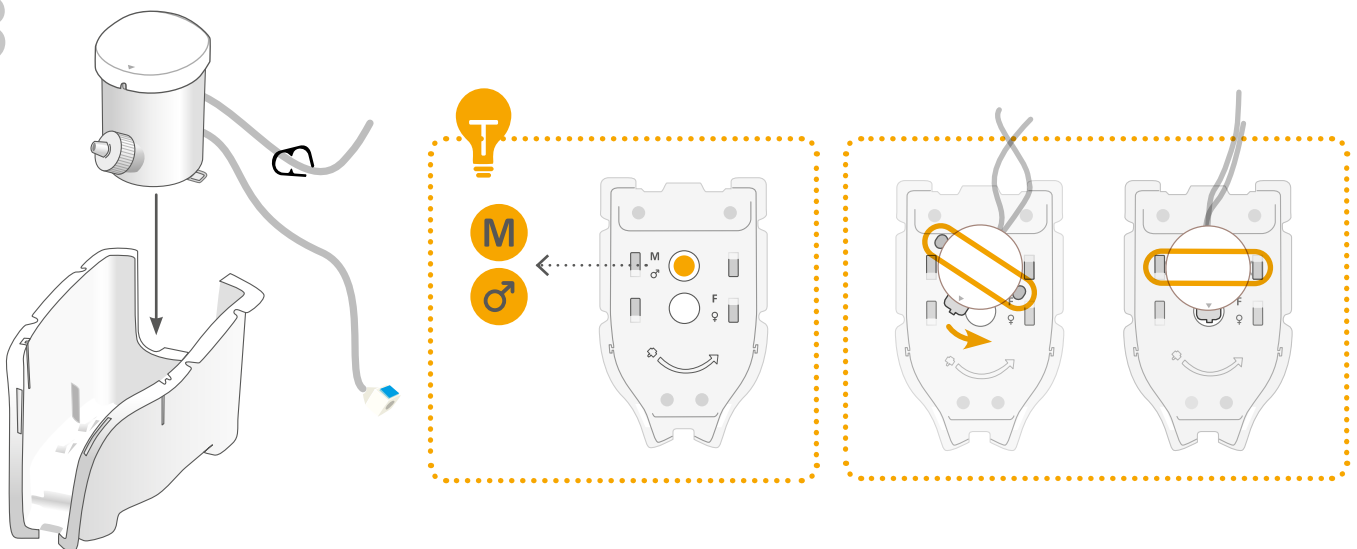
1



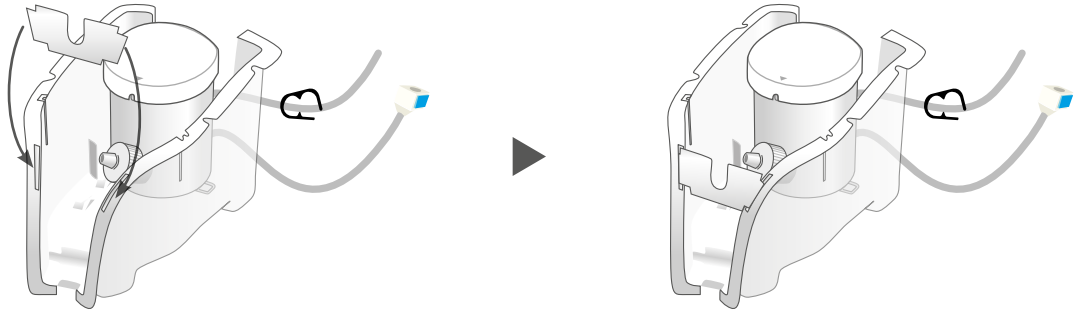
2



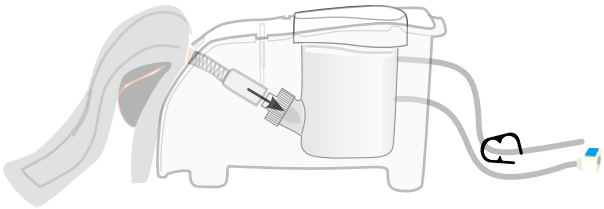
3



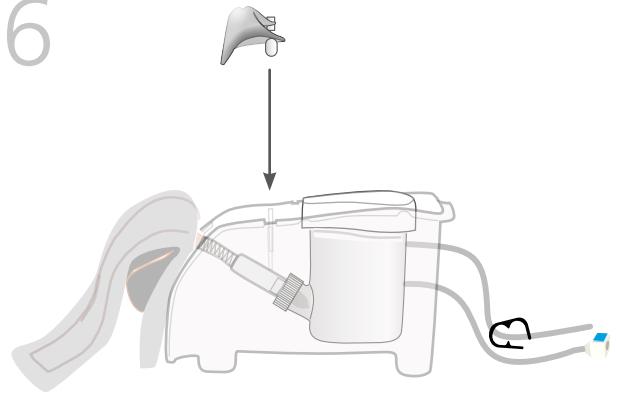
4



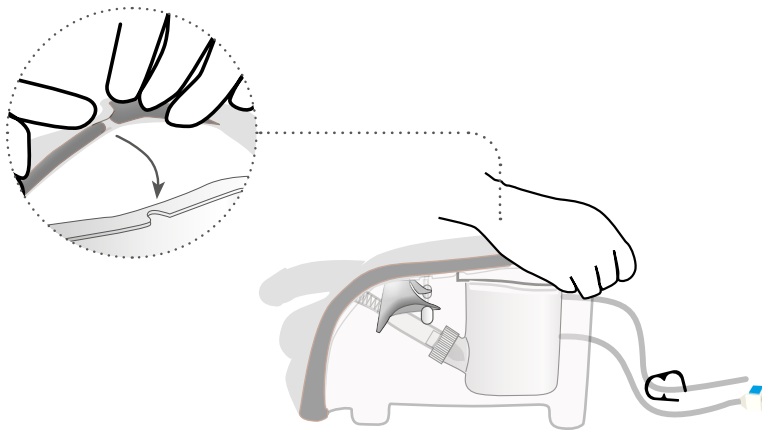
5



6



7

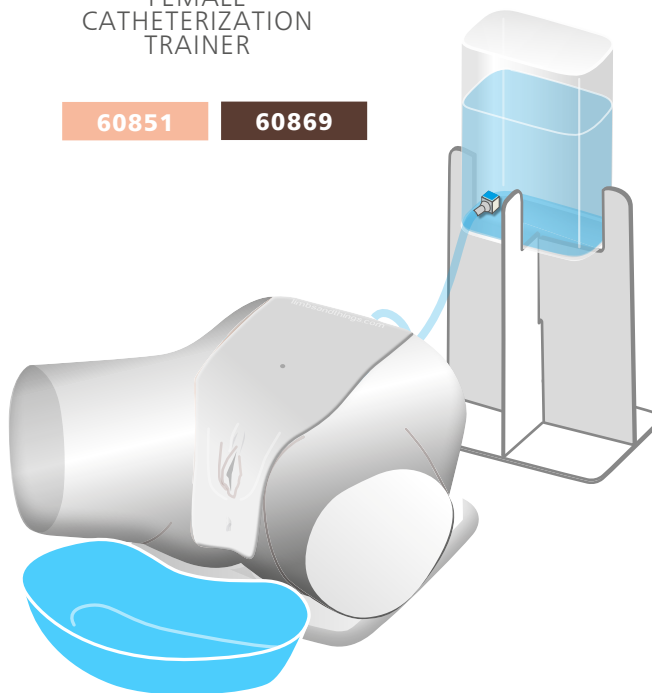


YOU MAY
ALSO BE
INTERESTED IN...

FEMALE
CATHETERIZATION
TRAINER

60851

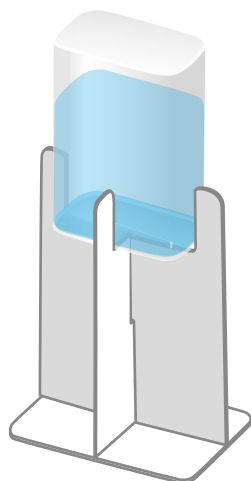
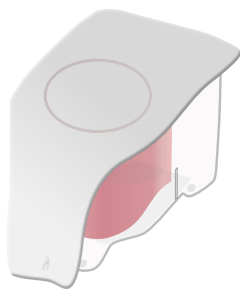
60869



SUPRAPUBIC
INSERTION UNIT

60852

60873



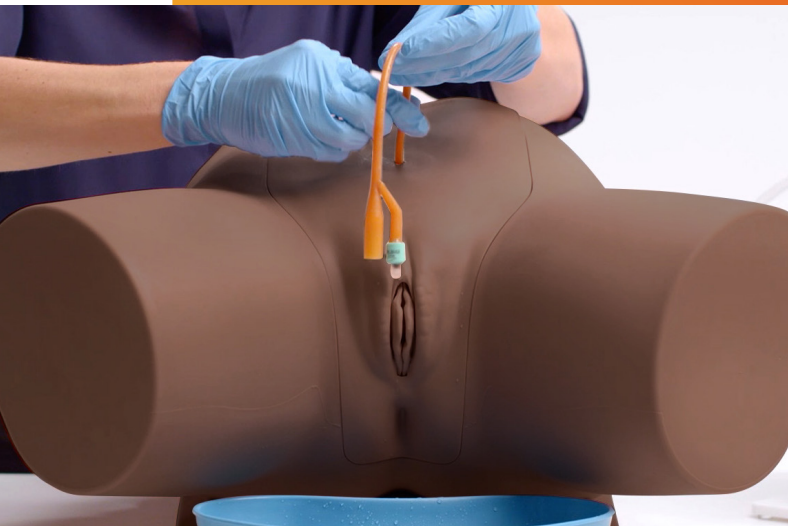
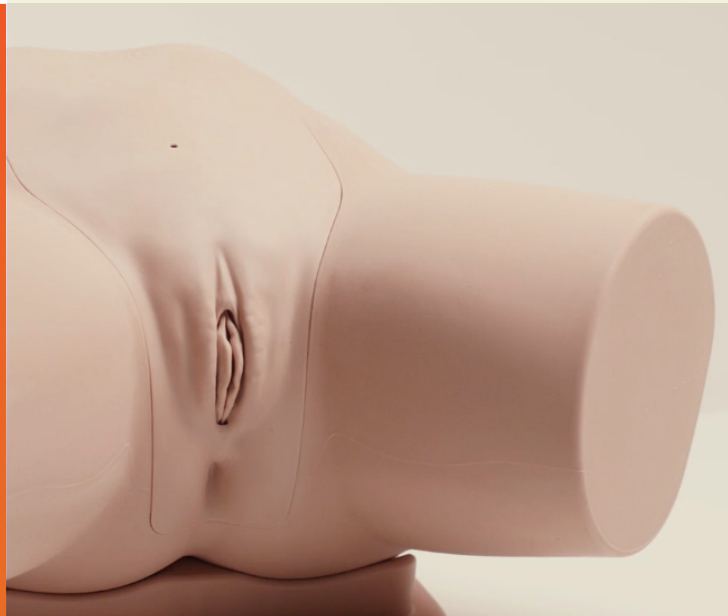
MEDIUM
CARRY CASE

40209





USER GUIDE



FEMALE CATHETERIZATION TRAINER

This product is available
in light and dark skin tones

60851

60869

FOR MORE SKILLS TRAINING PRODUCTS VISIT

limbsandthings.com

Sussex Street, St Philips, Bristol, BS2 0RA, UK | sales@limbsandthings.com | +44 (0) 117 311 0500

PACKAGE SUPPLIED	3
SAFETY & CLEANING INSTRUCTIONS	4
SET UP	5
• PLACING PELVIC SHELL	5
• ASSEMBLING THE WATER SYSTEM	6
• EMPTYING WATER	8
• REASSEMBLY	9

TAKE A LOOK
AT OUR **VIDEO**



VISIT THE WEBSITE
limbsandthings.com

OR YOUTUBE CHANNEL
youtube.com/limbsandthings

PACKAGE SUPPLIED

Female Catheterization Module

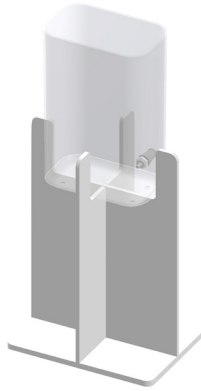
60856

60875



Water System

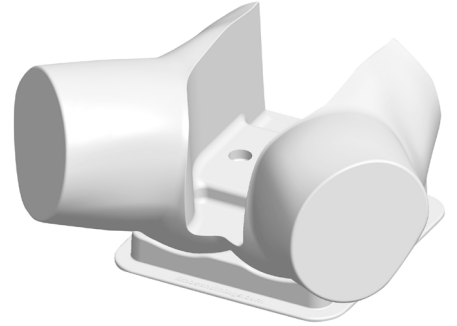
60863



Pelvic Shell & Stand

60864

60881



Aseptic Catheterization Sleeves (x2)

60862



Lubricant Gel with Syringe

60890



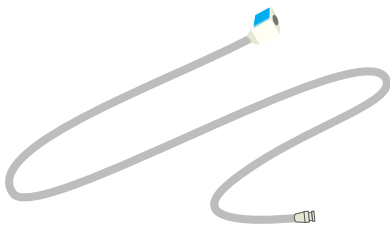
Antifungal Agent (Milton)

50185



Water Extension Tubing

60867



Plastic Kidney Dish



14 French Foley Catheter



SAFETY & CLEANING INSTRUCTIONS

READ THE SAFETY INSTRUCTIONS CAREFULLY BEFORE USING YOUR CATHETERIZATION TRAINER

DO's



Follow all instructions. Keep these instructions. Heed all warnings.

Only use attachments/accessories specified by Limbs & Things.



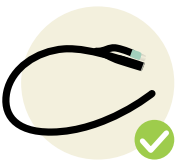
Refer all servicing to qualified service personnel. Servicing is required when the apparatus has been damaged.

Wear gloves at all times and remove all jewellery items. Sharp surfaces such as finger nails and rings can lead to damage of silicone parts.



Use lubrication when inserting catheter.

Use only the Milton Antifungal agent supplied to sterilize water.



Use 14 French Foley catheter (male length).

Drain all water from the product and clean with a damp soft cloth or sponge, using only warm water with mild detergent.



DON'Ts



Do not install near any heat sources, do not expose the product to flames or use near naked flame sources. Do not use flammable solvents near or on this product.

Do not set up the product near electrical appliances or items damaged by water.



Do not leave catheters inserted in the Trainer.

Do not attempt to remove a catheter which has an inflated balloon.



Do not use anaesthetic gel – use mock gel supplied with trainer.

Do not disassemble the product or attempt to repair a faulty unit, please return the product to Limbs & Things for assessment and repair.

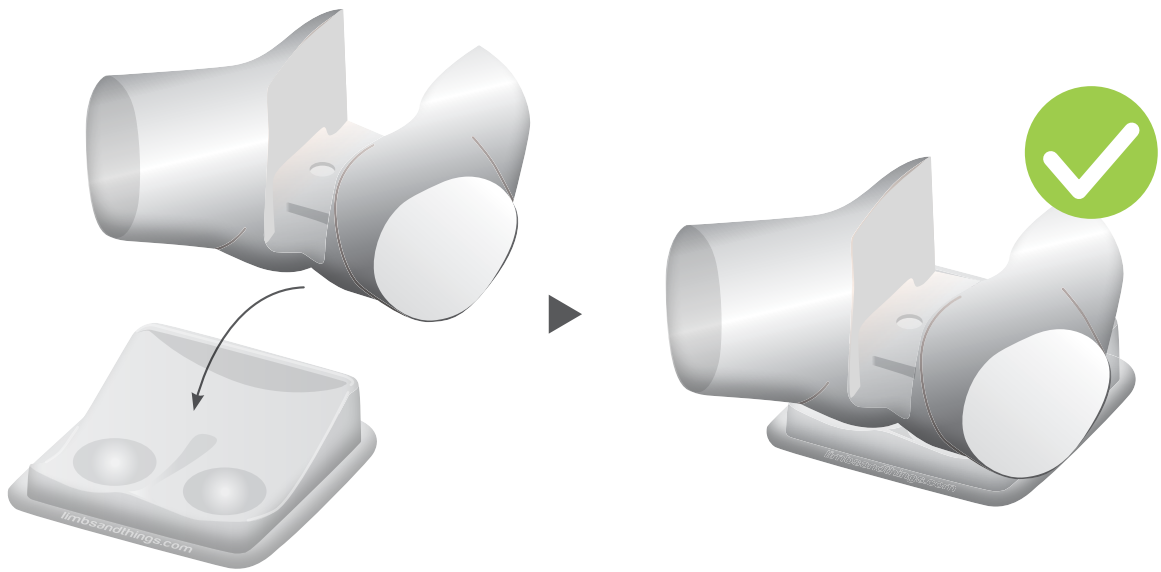


STORAGE & TRANSPORTATION

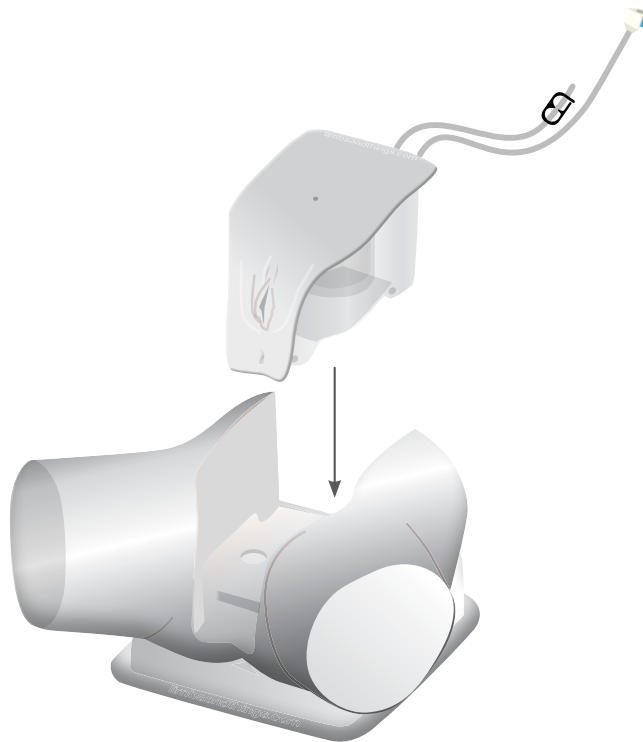


Always ensure that the product is properly packed and secured during transportation and storage in order to prevent personal injury or damage to the product.

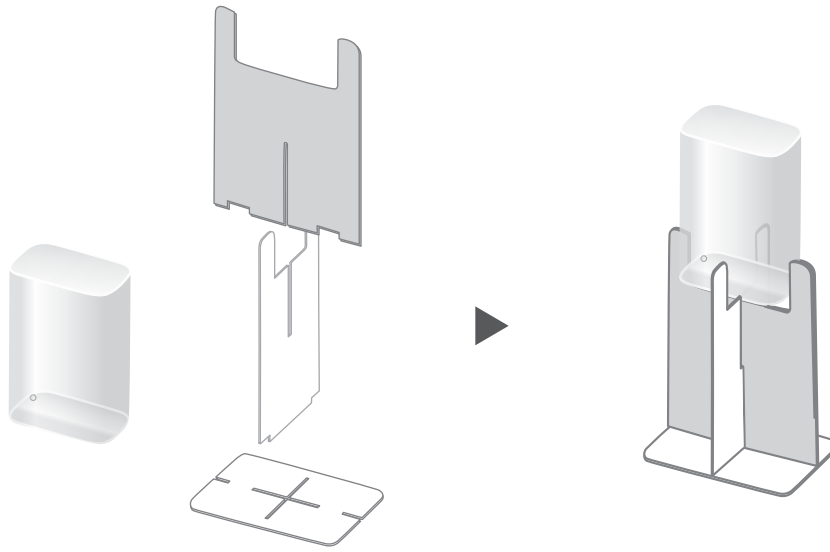
1



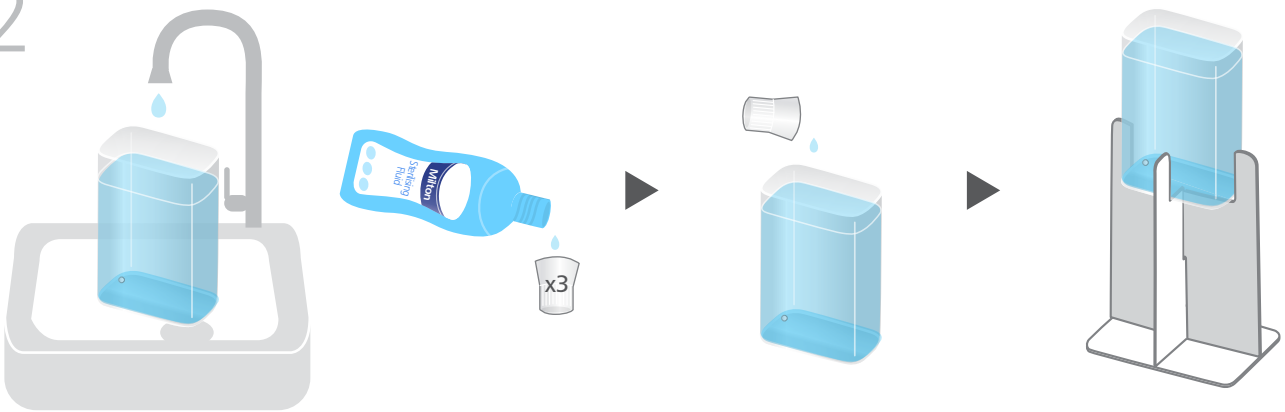
2



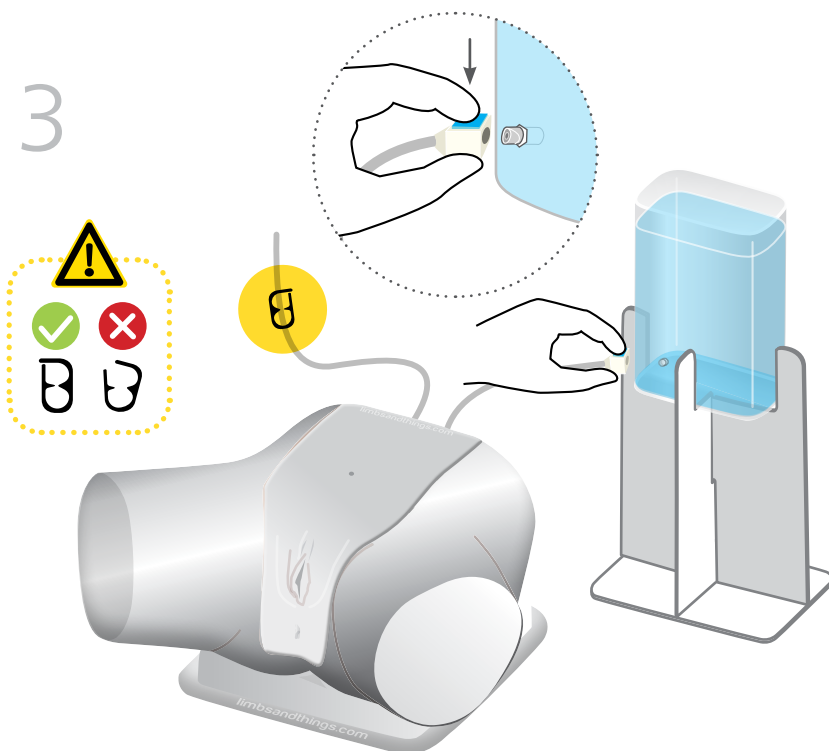
1



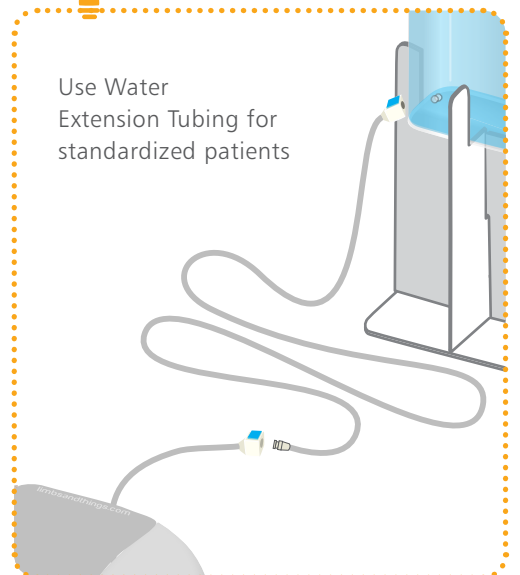
2



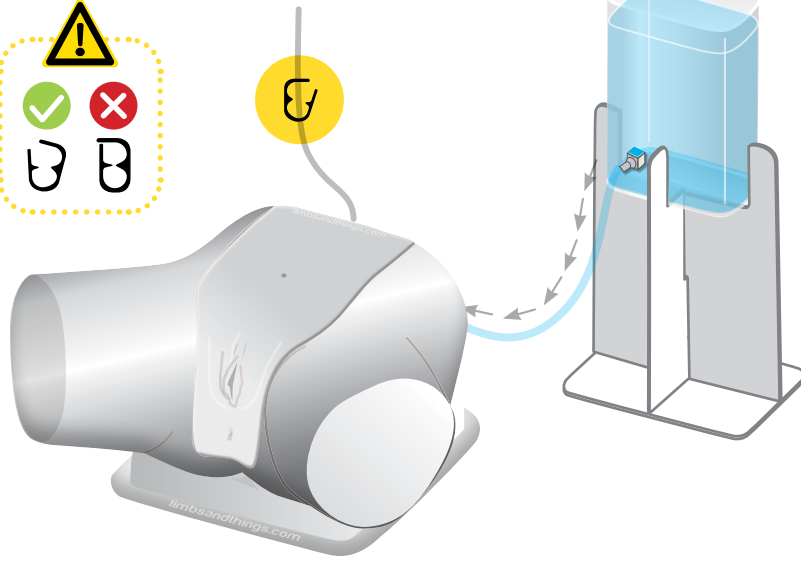
3



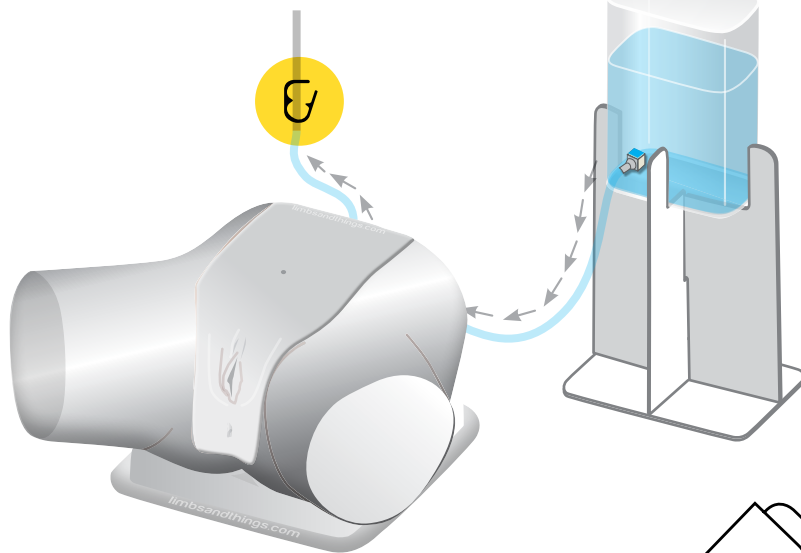
Use Water Extension Tubing for standardized patients



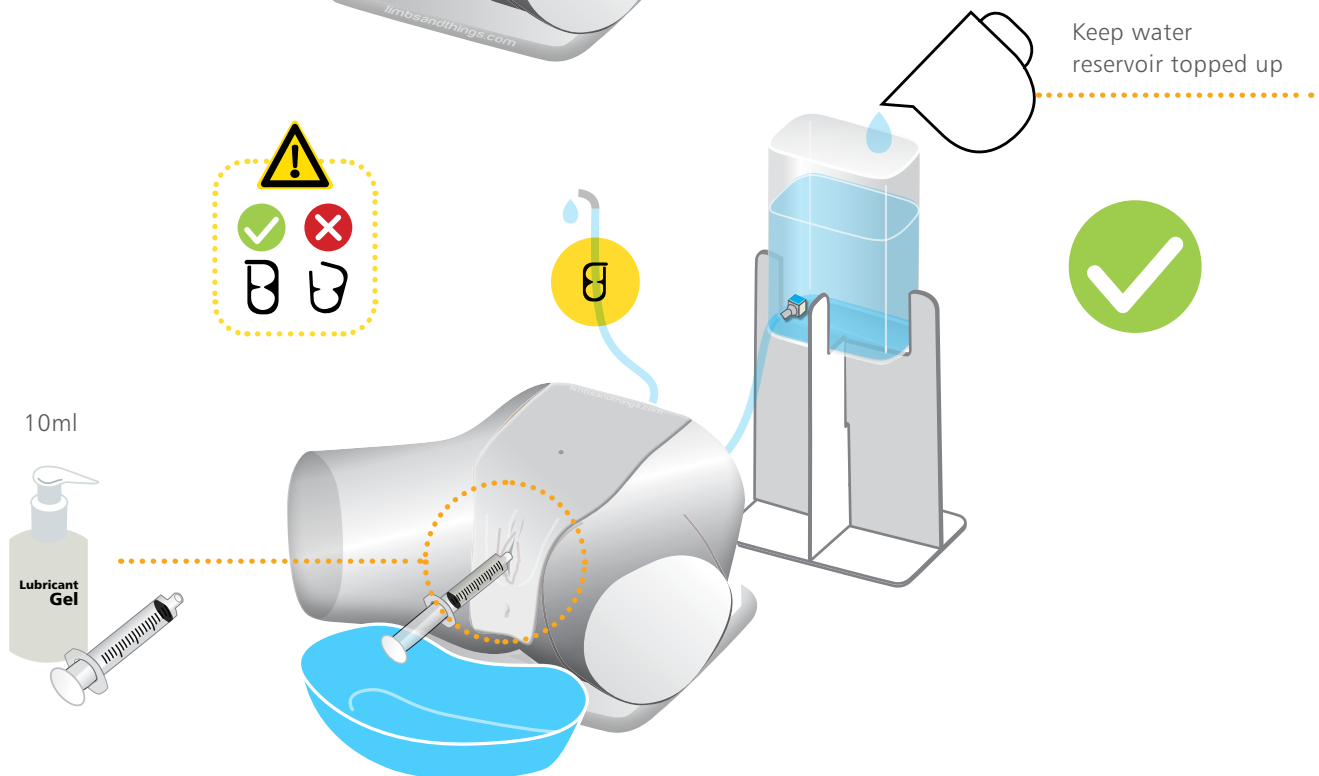
4



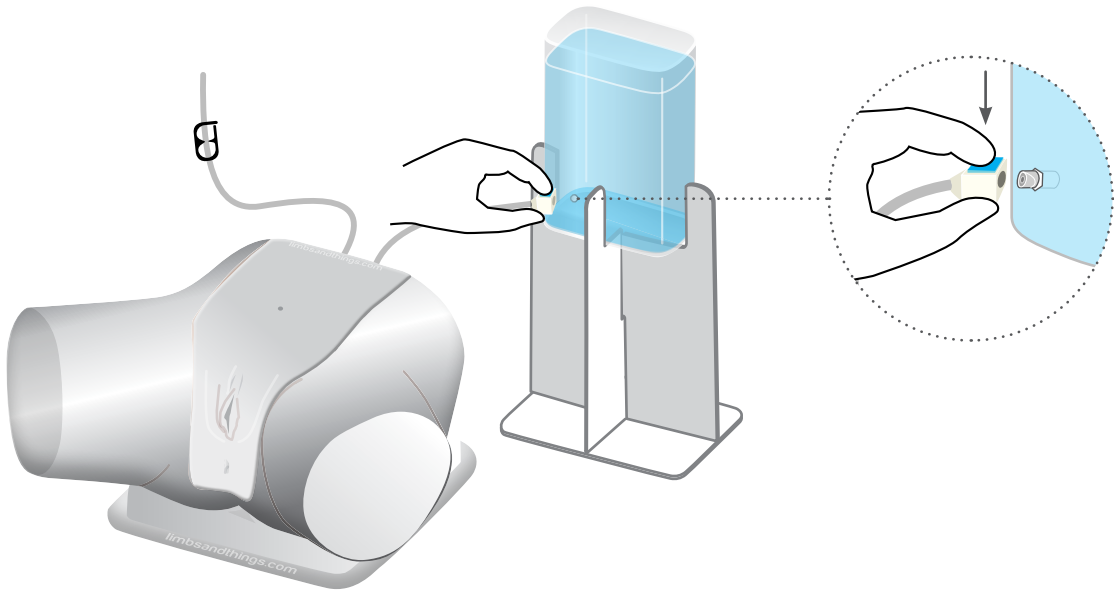
5



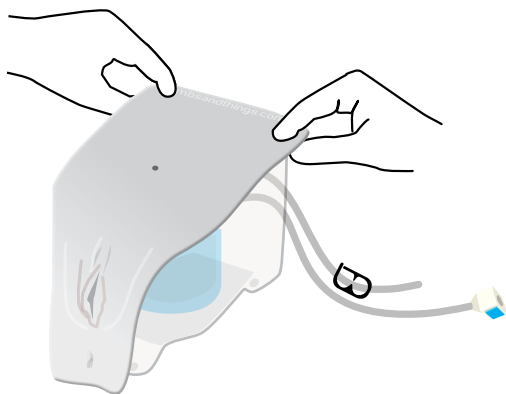
6



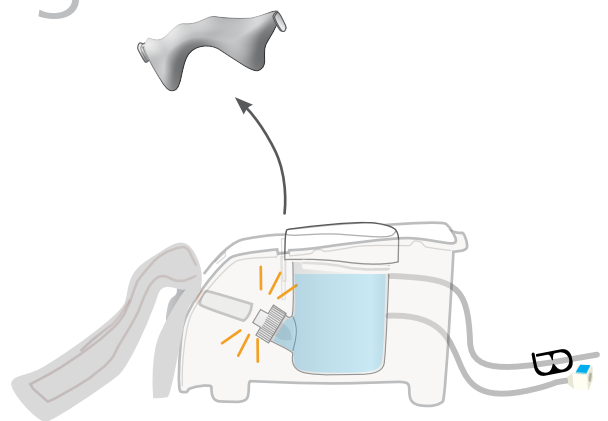
1



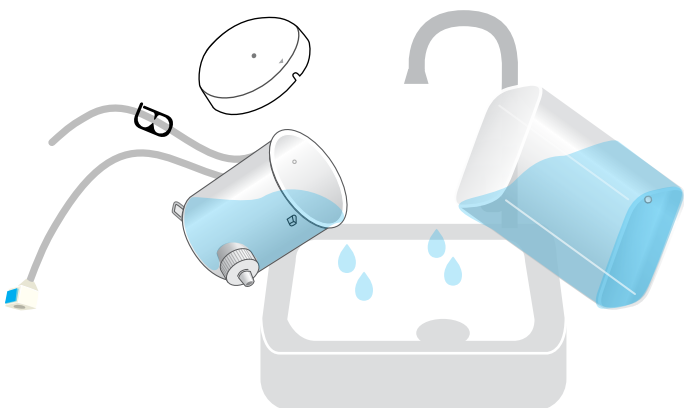
2



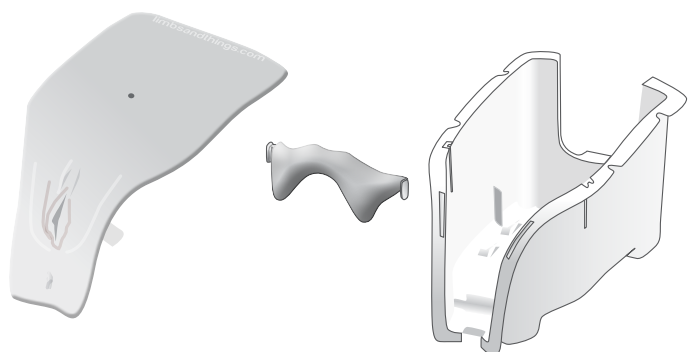
3



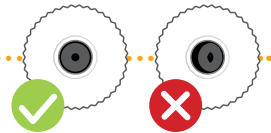
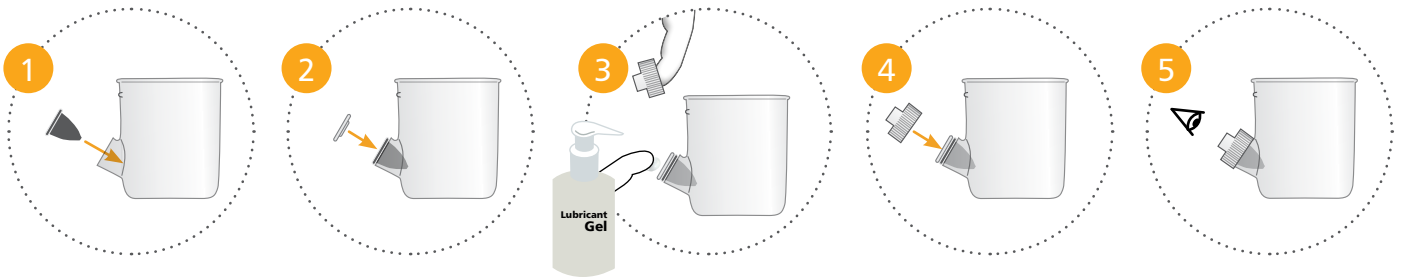
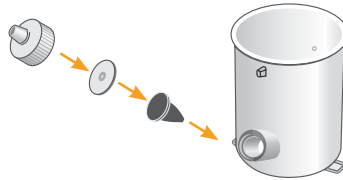
4



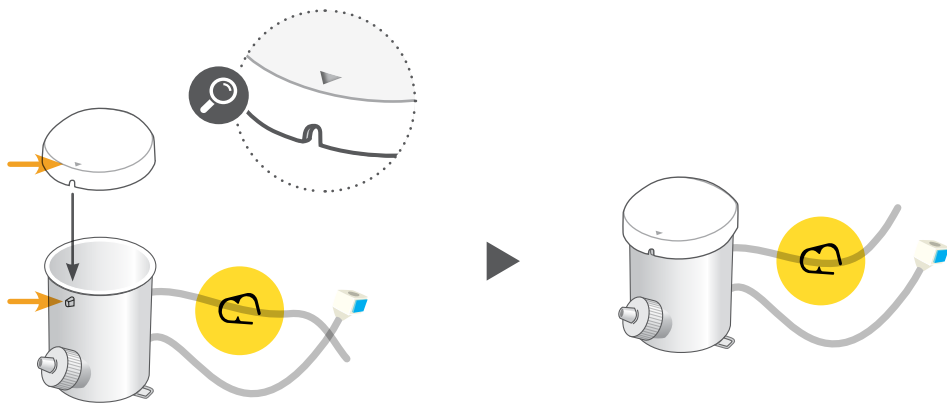
Dry all parts with paper towel
Reassemble and put in box



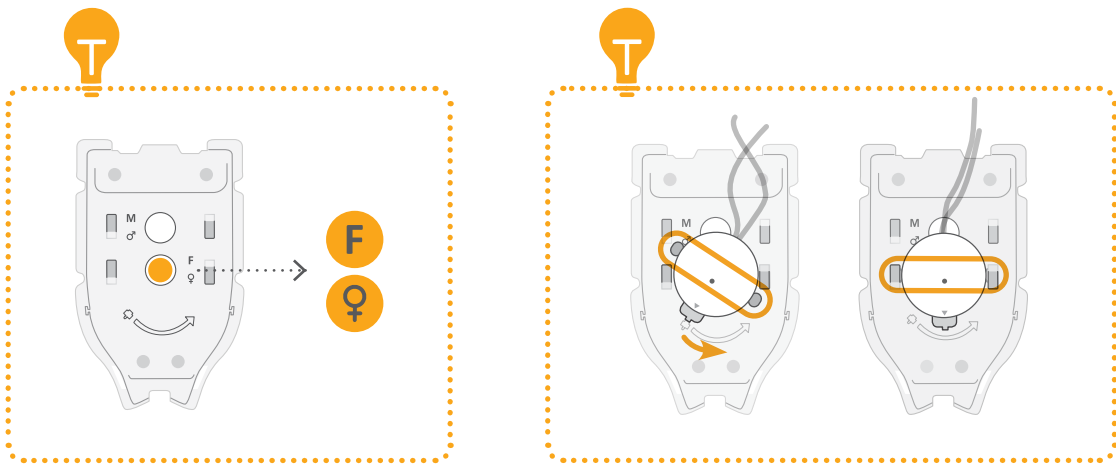
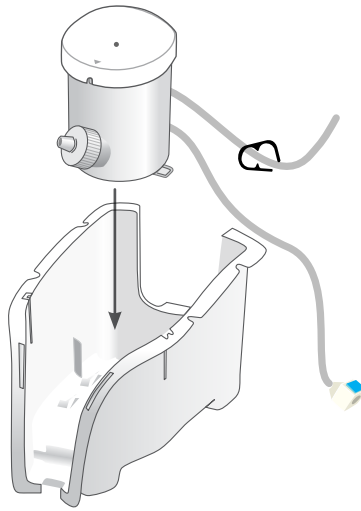
1



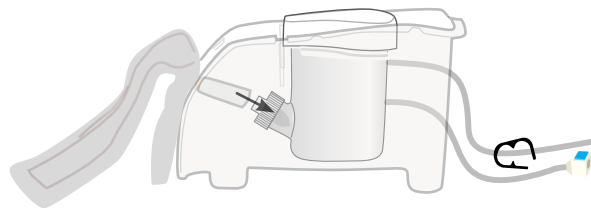
2



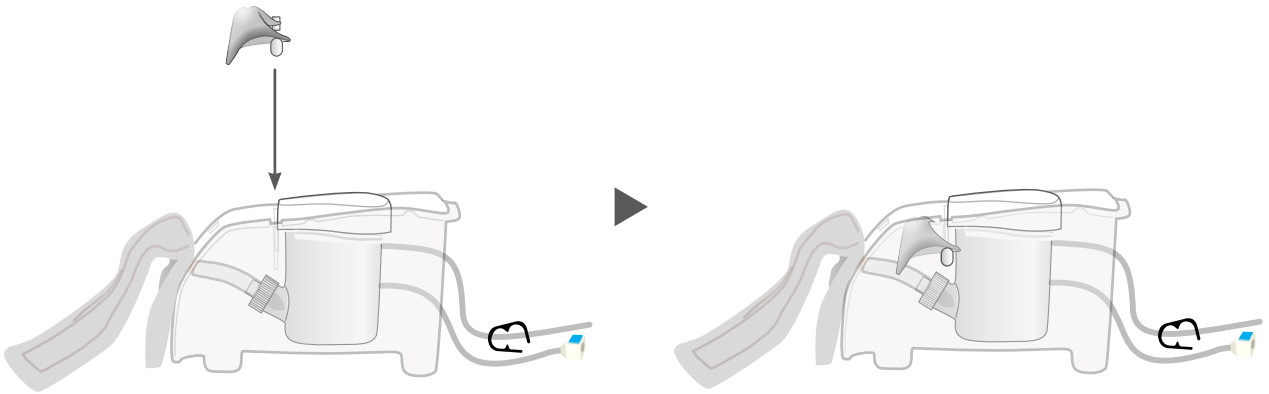
3



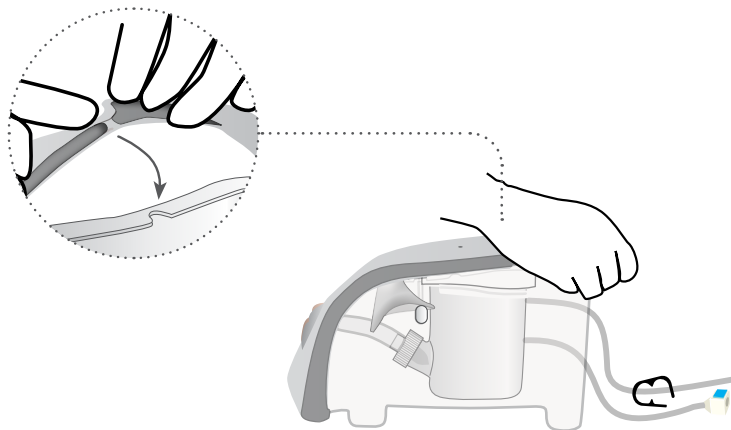
4



5



6



YOU MAY
ALSO BE
INTERESTED IN...

MALE
CATHETERIZATION
TRAINER

60850

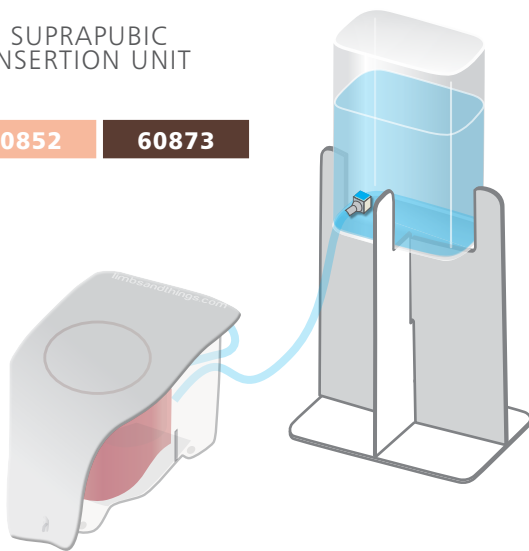
60870



SUPRAPUBIC
INSERTION UNIT

60852

60873



MEDIUM
CARRY CASE

40209

