



USER GUIDE



ULTRASOUND EPIDURAL & LUMBAR PUNCTURE MODEL

This product is available
in light and dark skin tones

61002

61025

FOR MORE SKILLS TRAINING PRODUCTS VISIT

limbsandthings.com

Sussex Street, St Philips, Bristol, BS2 0RA, UK | sales@limbsandthings.com | +44 (0) 117 311 0500

INDEX

PACKAGE SUPPLIED	3
SAFETY & CLEANING INSTRUCTIONS	4
SET UP	5
• STAND	5
• CARTRIDGE	7
• DURA	10
CARE & MAINTENANCE	11

TAKE A LOOK
AT OUR **VIDEO**

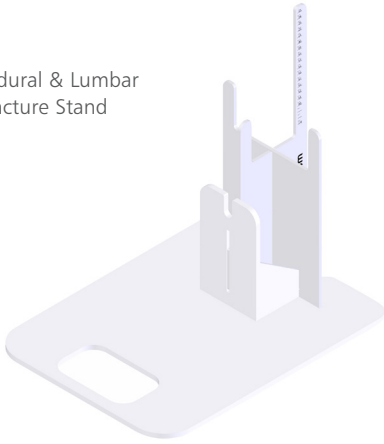


VISIT THE WEBSITE
limbsandthings.com

OR YOUTUBE CHANNEL
youtube.com/limbsandthings

PACKAGE
SUPPLIED

Epidural & Lumbar Puncture Stand



Epidural & Lumbar Puncture Water Container

61022



Epidural & Lumbar Puncture Torso With Torso Skin



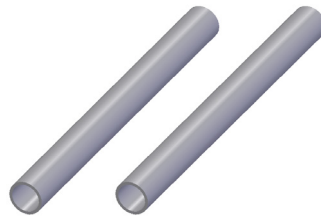
Epidural & Lumbar Puncture Ultrasound Insert (x2)

61014 **61026**



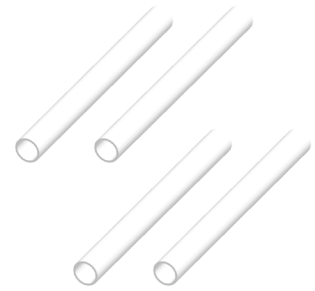
Epidural & Lumbar Puncture Standard Dura (x2)

61017



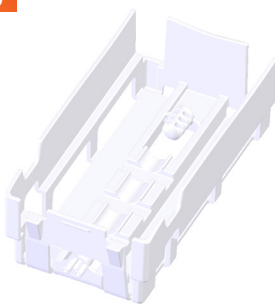
Epidural & Lumbar Puncture Advanced Dura (x4)

61018



Epidural & Lumbar Puncture Insert Cartridge

61020



Marker Pen



YOU WILL NEED (NOT SUPPLIED)

Spinal needles



Manometer



Epidural kit



Large curvilinear probe



Ultrasound gel



SAFETY & CLEANING INSTRUCTIONS

READ THE SAFETY INSTRUCTIONS CAREFULLY BEFORE USING YOUR ULTRASOUND EPIDURAL & LUMBAR PUNCTURE TRAINER

DO's



Follow all instructions. Keep these instructions. Heed all warnings.

Only use attachments/accessories specified by Limbs & Things.



Use gloves while using the ultrasound model. Wash your hands after handling the Ultrasound Insert, especially before eating.

Drain all water from the product and clean with a damp soft cloth or sponge, using only warm water with mild detergent.



DON'Ts



Do not install near any heat sources, do not expose the product to flames or use near naked flame sources. Do not use flammable solvents near or on this product.

Do not disassemble the product or attempt to repair a faulty unit, please return the product to Limbs & Things for assessment and repair.



Do not allow young children to use this product.

Do not use the Epidural & Lumbar Puncture Fat Pad or Skin Pad with the Ultrasound Insert. These are available as replacement parts for the palpation only models. They are not compatible with ultrasound.



STORAGE & TRANSPORTATION

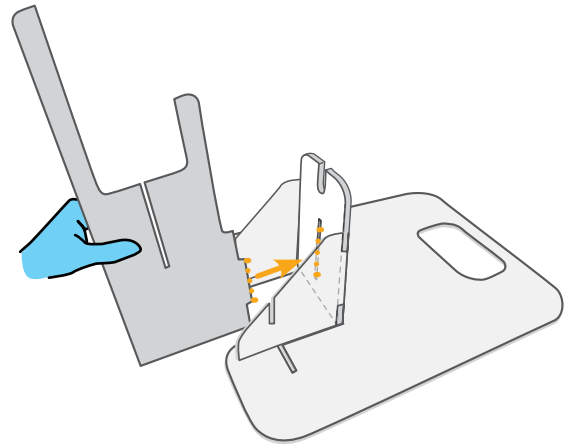
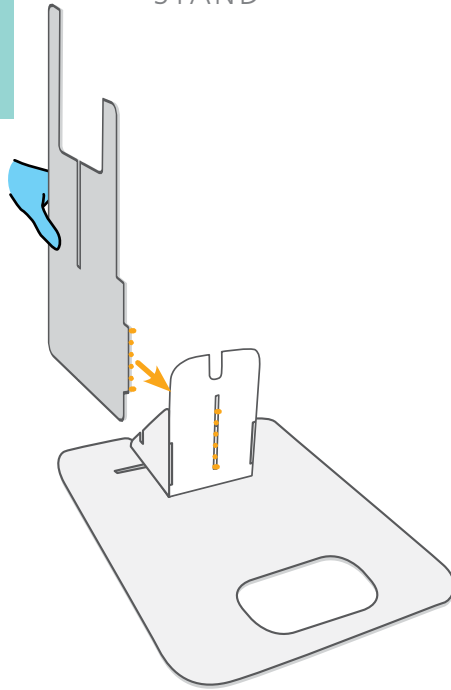


Always ensure that the products are properly packed and secured during transportation and storage in order to prevent personal injury or damage to the product.

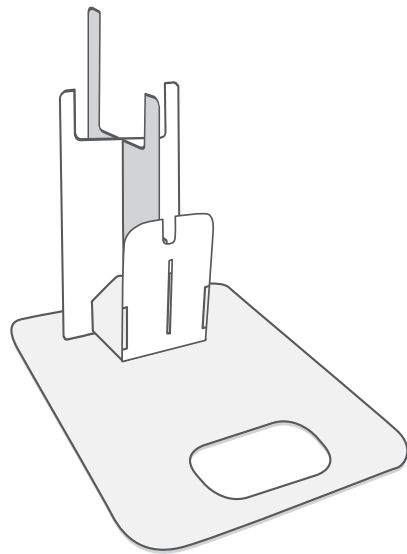
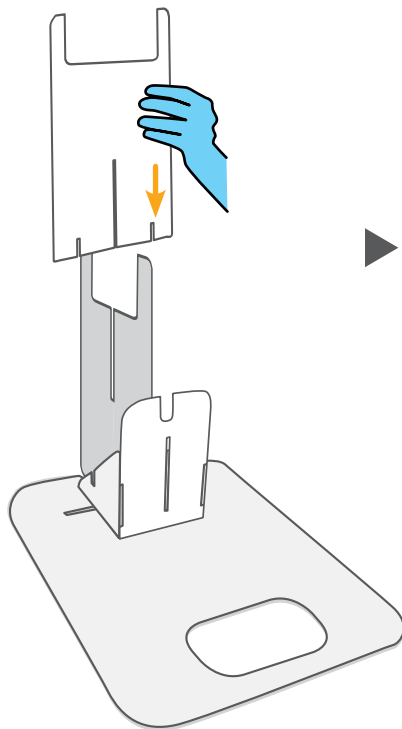
SET UP

STAND

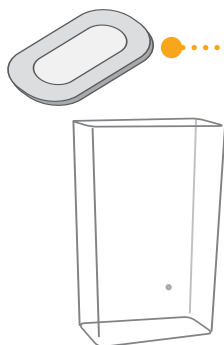
1



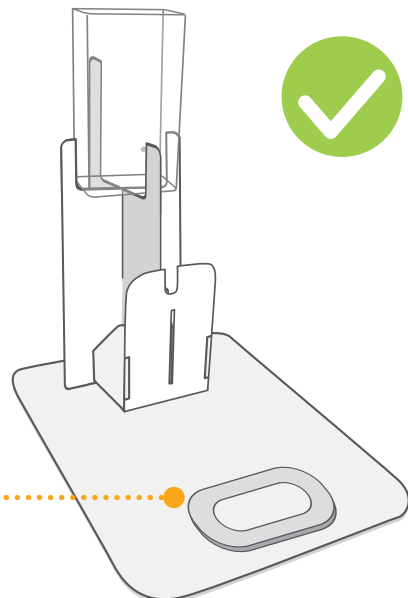
2



3



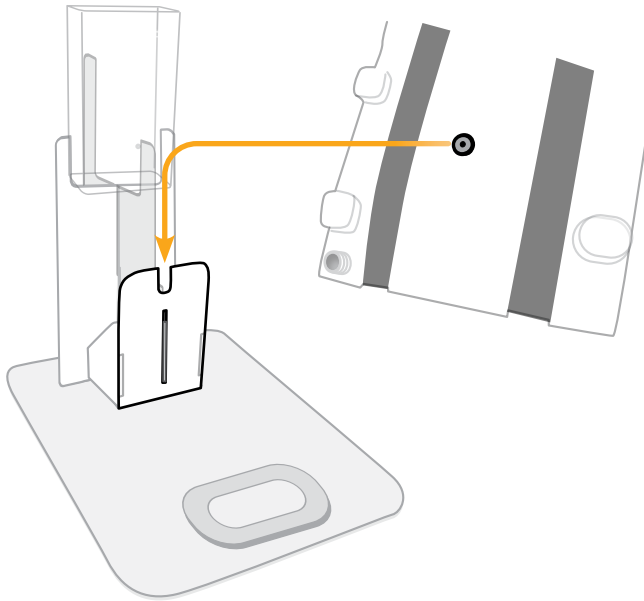
Use lid as drip tray



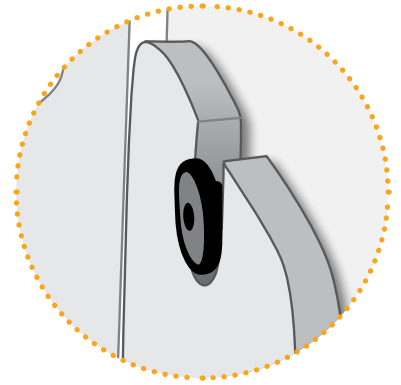
SET UP

STAND

4

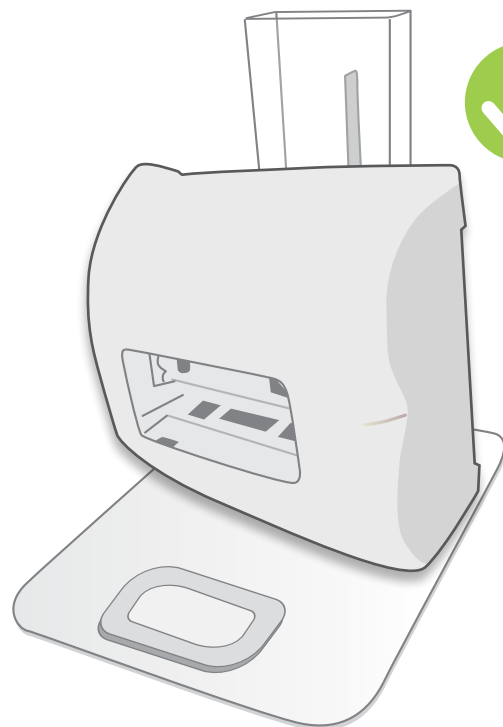
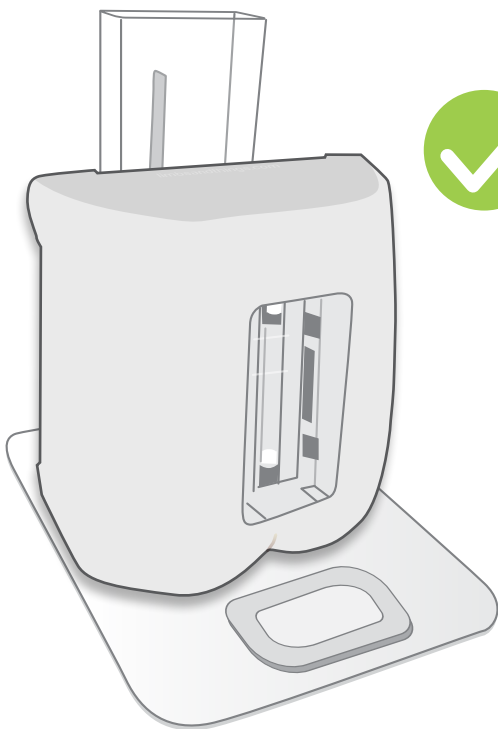


Line up back of torso with the stand and slot down



5

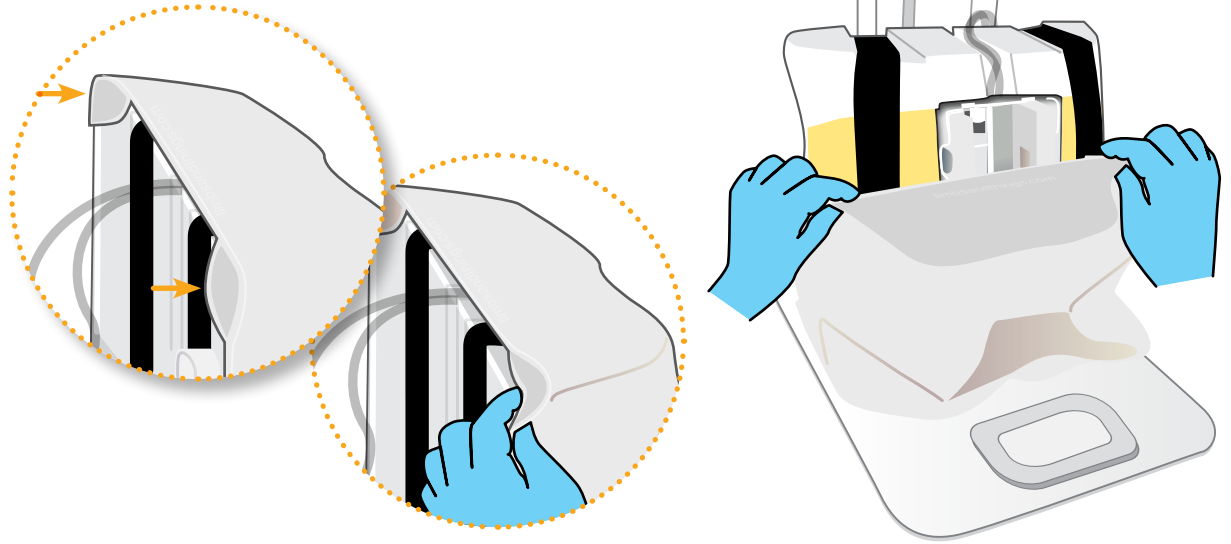
Torso can be upright or left lateral



SET UP

CARTRIDGE

1



2



Choose a Standard Dura
for durability

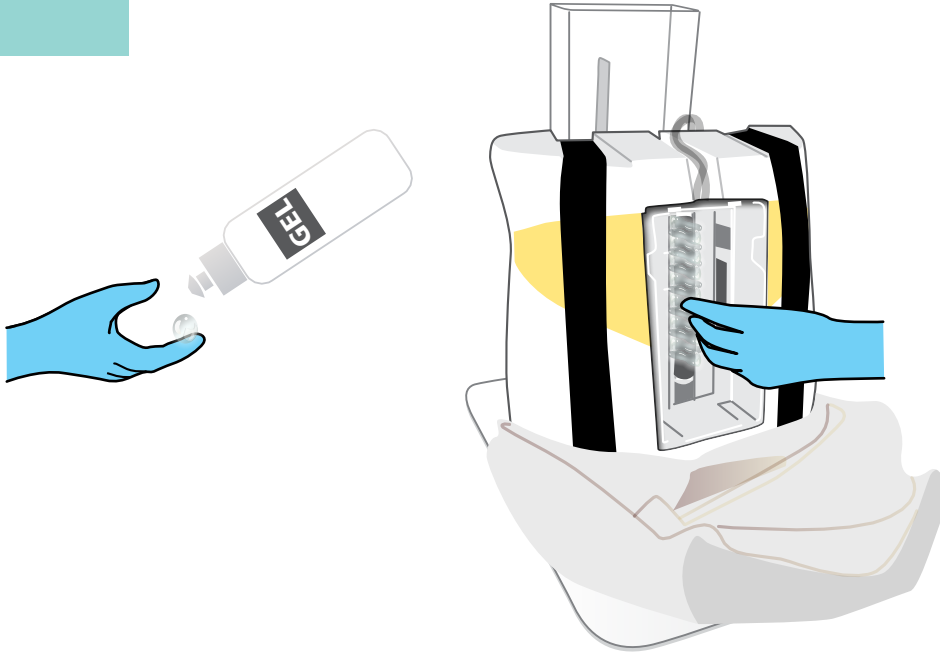
or an Advanced Dura
for more realistic training



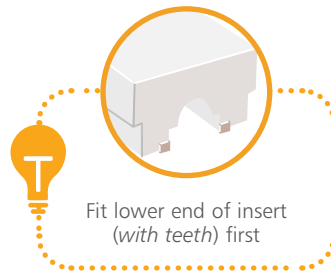
SET UP

CARTRIDGE

3



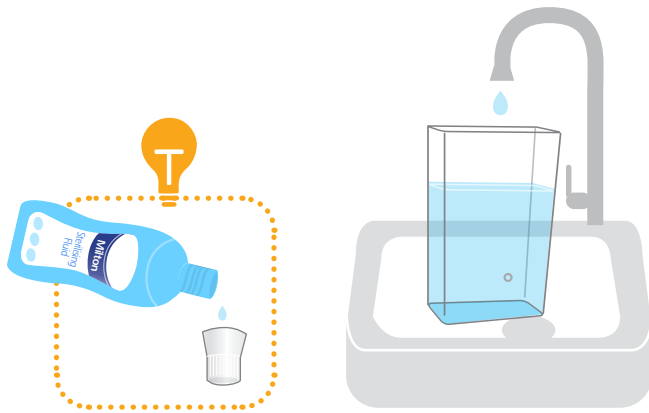
4



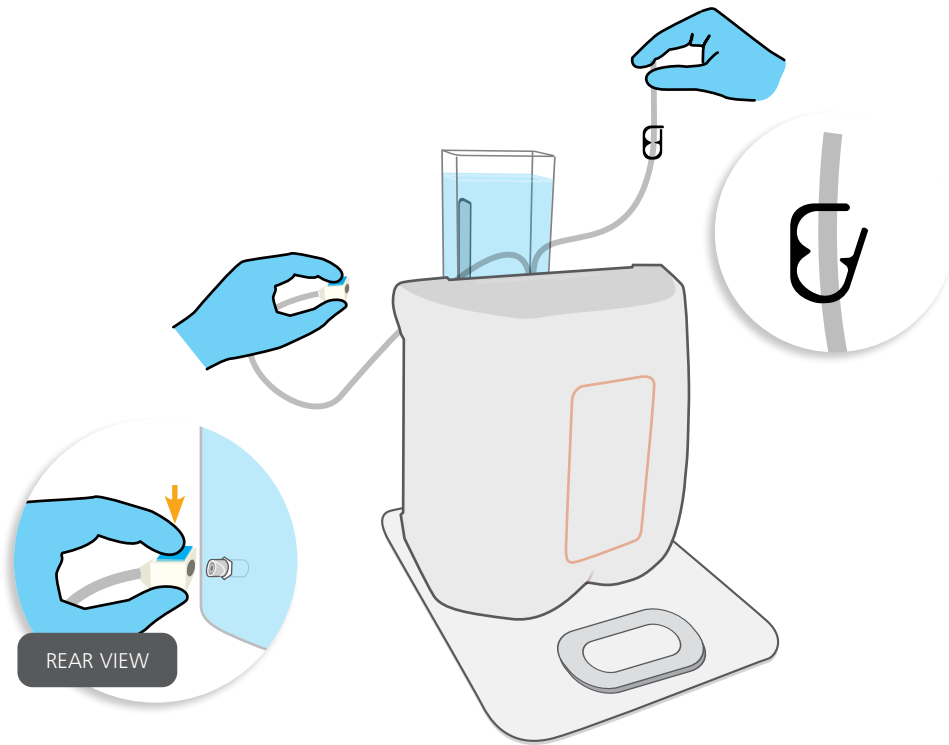
SET UP

DURA

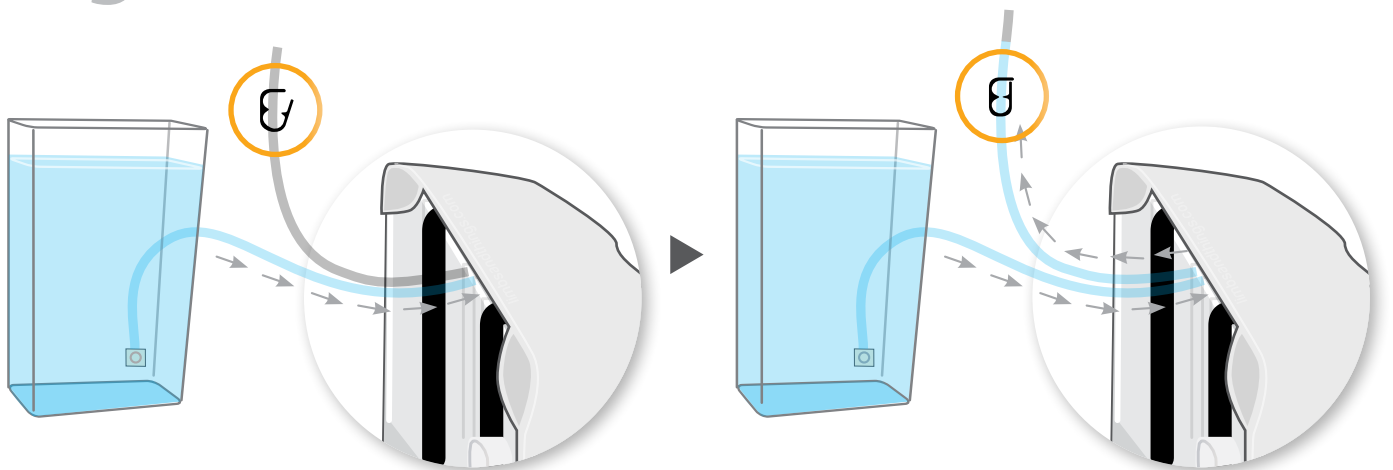
1



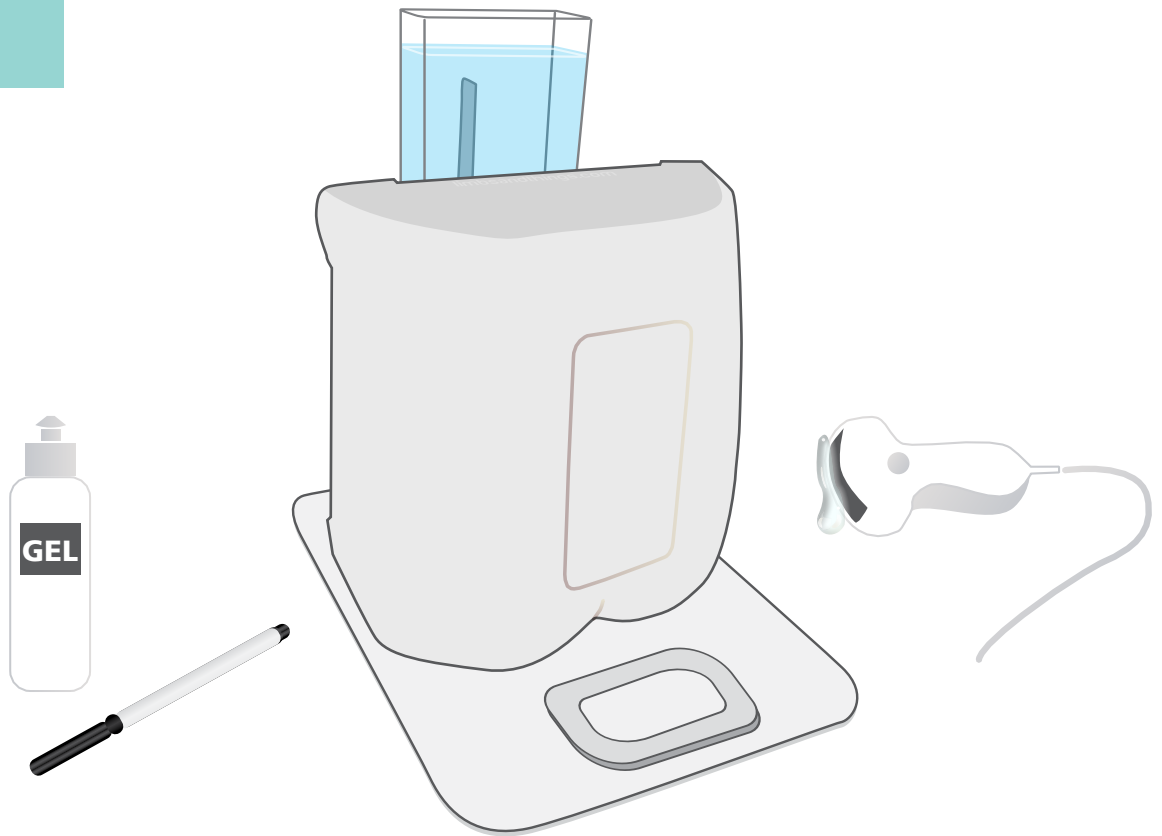
2




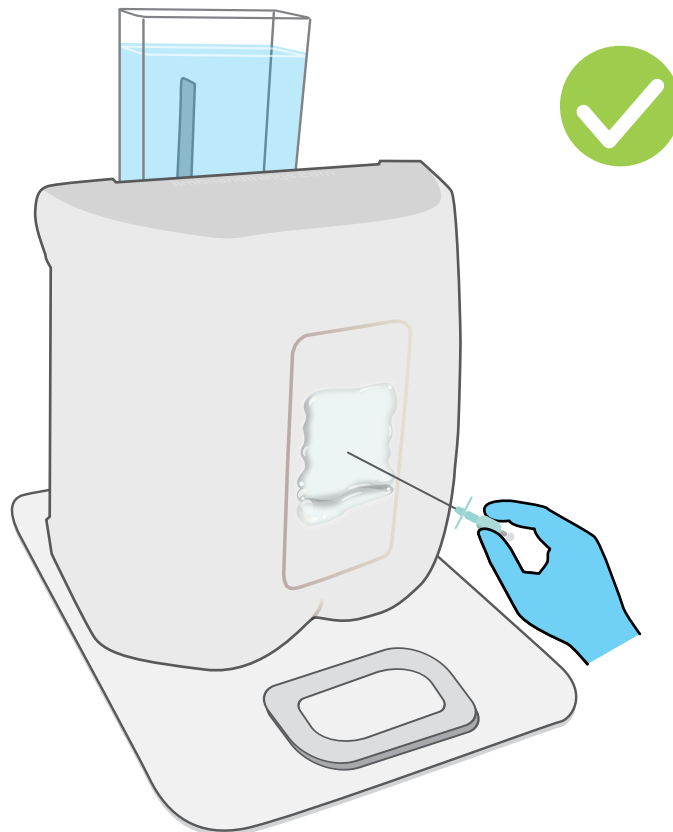
3



SET UP

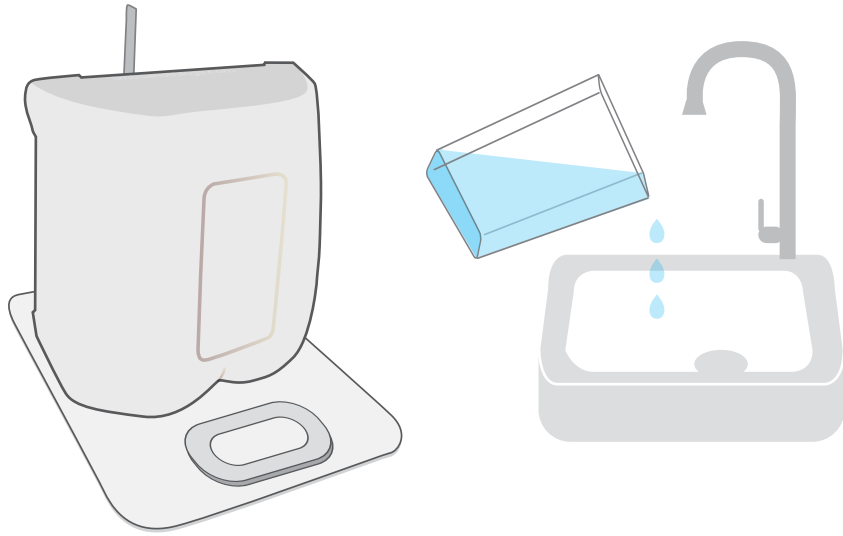



After ultrasound scanning, leave the gel on as you perform the epidural, helping the life of the insert.

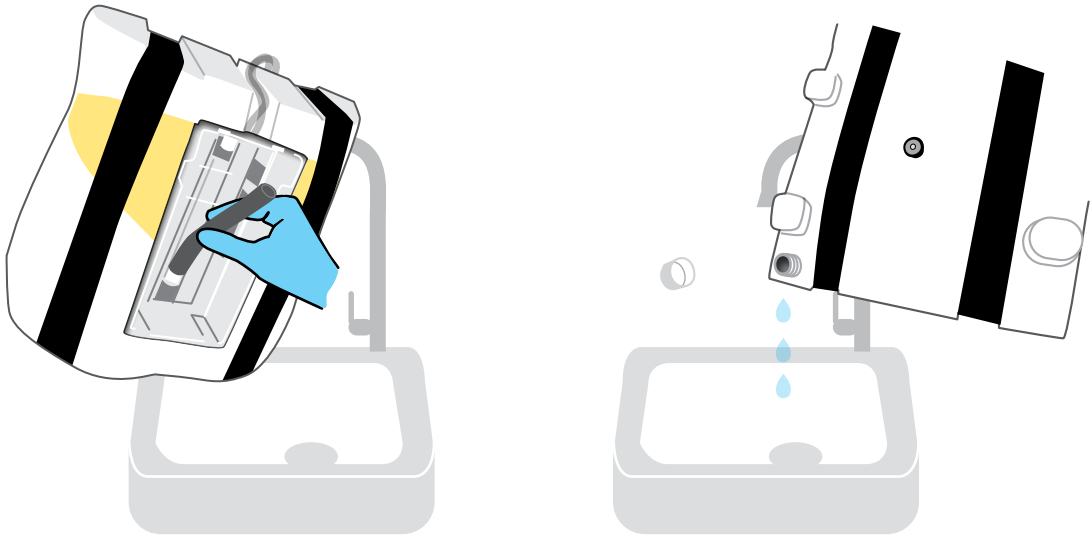


CARE & MAINTENANCE

1



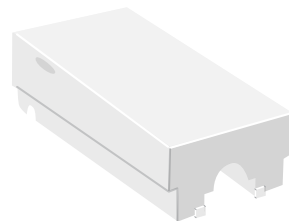
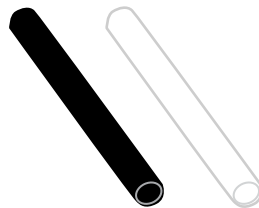
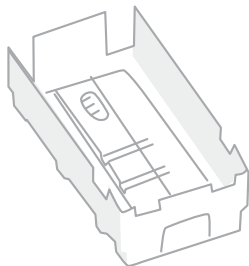
2



3



Dry all the parts with paper towel



Refit all the parts when dry

YOU MAY
ALSO BE
INTERESTED IN...

SONON
ULTRASOUND
IMAGING SYSTEM
CONVEX

HC300C



PARACENTESIS
TRAINER

60100 **60111**

