



USER GUIDE



ULTRASOUND EPIDURAL & LUMBAR PUNCTURE MODEL

This product is available
in light and dark skin tones

61002

61025

FOR MORE SKILLS TRAINING PRODUCTS VISIT

limbsandthings.com

Sussex Street, St Philips, Bristol, BS2 0RA, UK | sales@limbsandthings.com | +44 (0) 117 311 0500

INDEX

PACKAGE SUPPLIED	3
SAFETY & CLEANING INSTRUCTIONS	4
SET UP	5
• STAND	5
• CARTRIDGE	7
• DURA	10
CARE & MAINTENANCE	11
AUGMENTED REALITY TRAINING (ART)	12
• SAFETY & CLEANING INSTRUCTIONS	12
• ART SET UP	13

TAKE A LOOK
AT OUR **VIDEO**

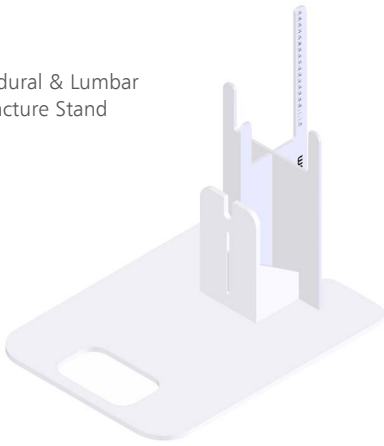


VISIT THE WEBSITE
limbsandthings.com

OR YOUTUBE CHANNEL
youtube.com/limbsandthings

PACKAGE
SUPPLIED

Epidural & Lumbar Puncture Stand



Epidural & Lumbar Puncture Water Container

61022

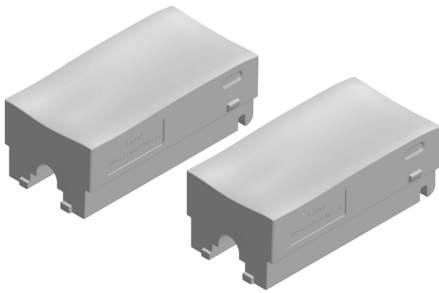


Epidural & Lumbar Puncture Torso With Torso Skin



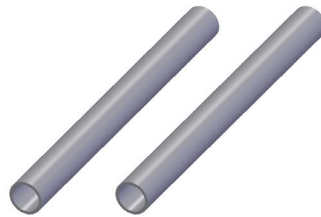
Epidural & Lumbar Puncture Ultrasound Insert (x2)

61014 **61026**



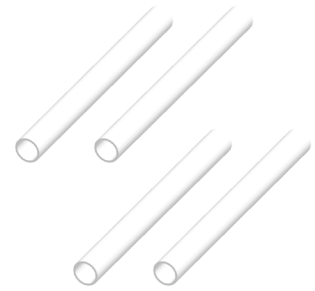
Epidural & Lumbar Puncture Standard Dura (x2)

61017



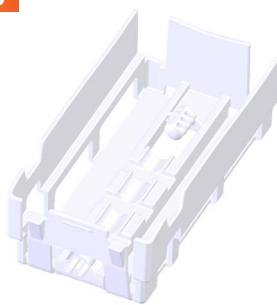
Epidural & Lumbar Puncture Advanced Dura (x4)

61018



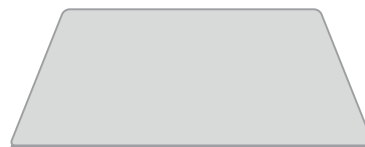
Epidural & Lumbar Puncture Insert Cartridge

61020



ART mat

60130



Marker Pen



YOU WILL NEED (NOT SUPPLIED)

Spinal needles

Manometer

Epidural kit

Large curvilinear probe

Ultrasound gel



SAFETY & CLEANING INSTRUCTIONS

READ THE SAFETY INSTRUCTIONS CAREFULLY BEFORE USING YOUR ULTRASOUND EPIDURAL & LUMBAR PUNCTURE TRAINER

DO'S



Follow all instructions. Keep these instructions. Heed all warnings.

Only use attachments/accessories specified by Limbs & Things.



Use gloves while using the ultrasound model. Wash your hands after handling the Ultrasound Insert, especially before eating.

Drain all water from the product and clean with a damp soft cloth or sponge, using only warm water with mild detergent.



DON'Ts



Do not install near any heat sources, do not expose the product to flames or use near naked flame sources. Do not use flammable solvents near or on this product.

Do not disassemble the product or attempt to repair a faulty unit, please return the product to Limbs & Things for assessment and repair.



Do not allow young children to use this product.

Do not use the Epidural & Lumbar Puncture Fat Pad or Skin Pad with the Ultrasound Insert. These are available as replacement parts for the palpation only models. They are not compatible with ultrasound.



STORAGE & TRANSPORTATION

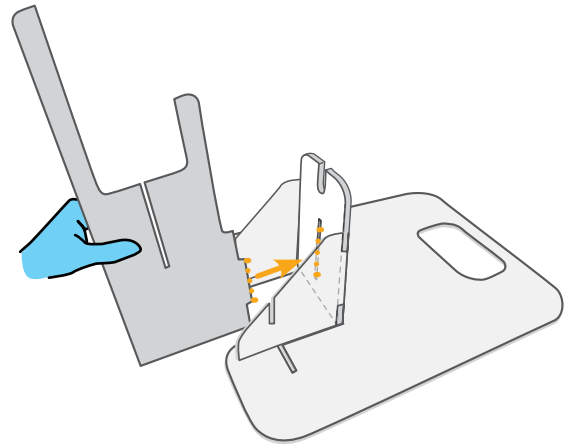
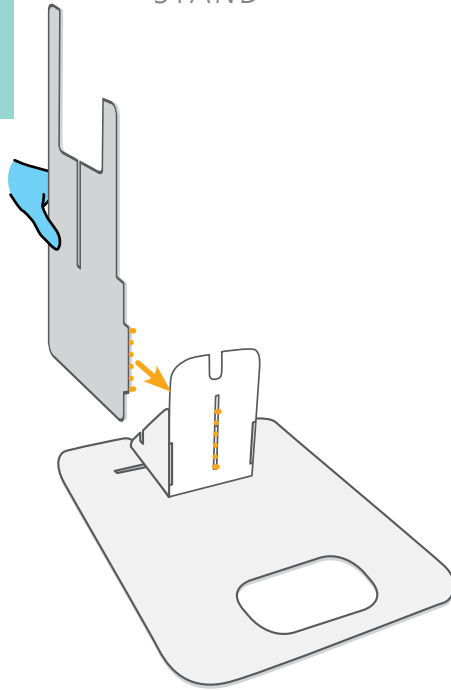


Always ensure that the products are properly packed and secured during transportation and storage in order to prevent personal injury or damage to the product.

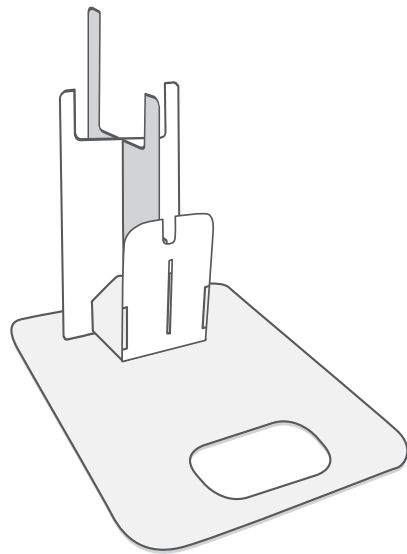
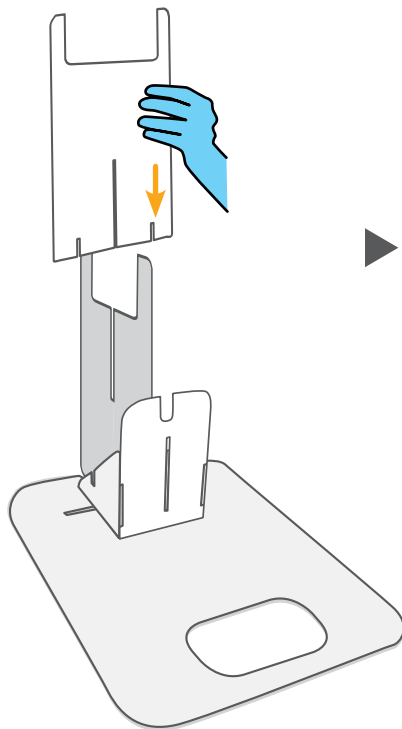
SET UP

STAND

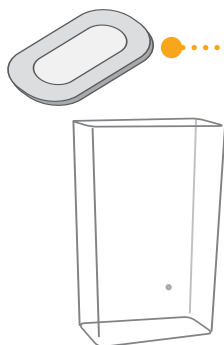
1



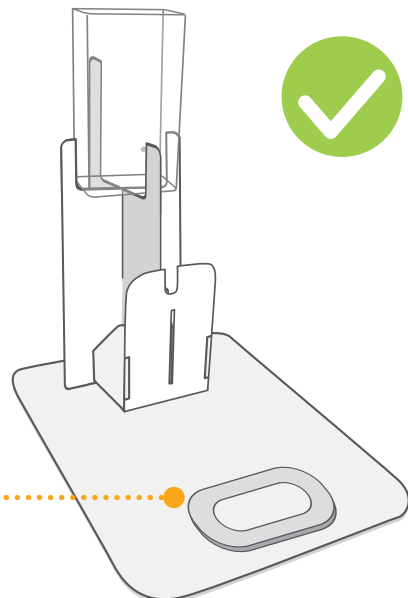
2



3



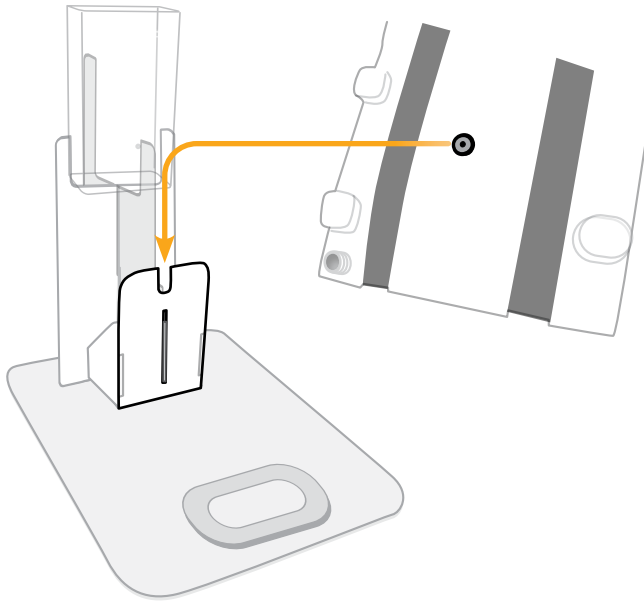
Use lid as drip tray



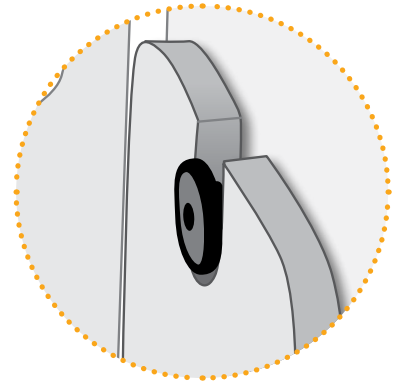
SET UP

STAND

4



Line up back of torso with the stand and slot down



5

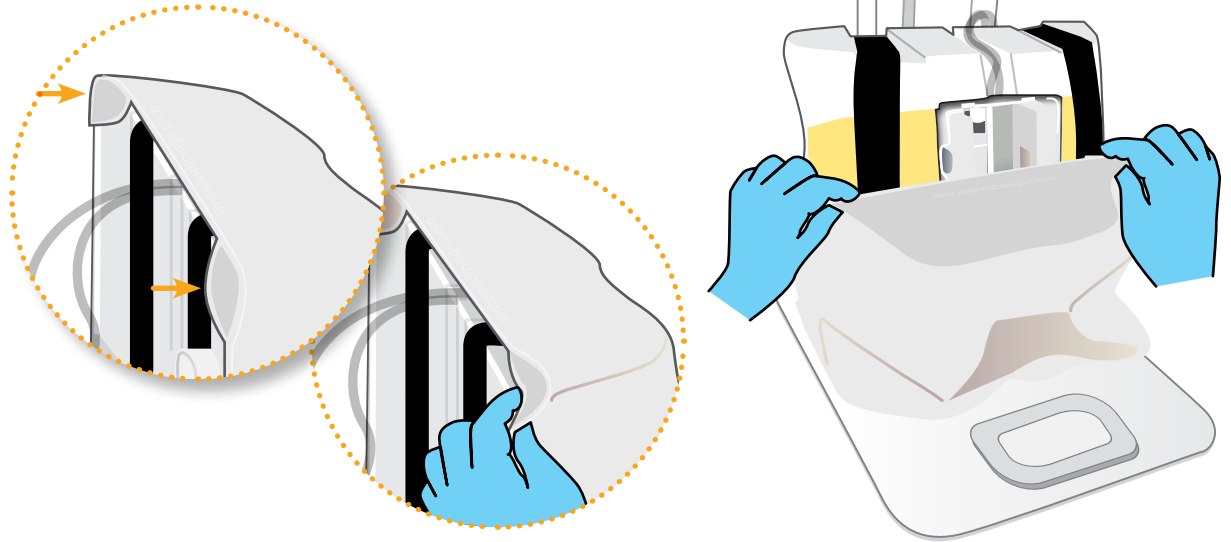
Torso can be upright or left lateral



SET UP

CARTRIDGE

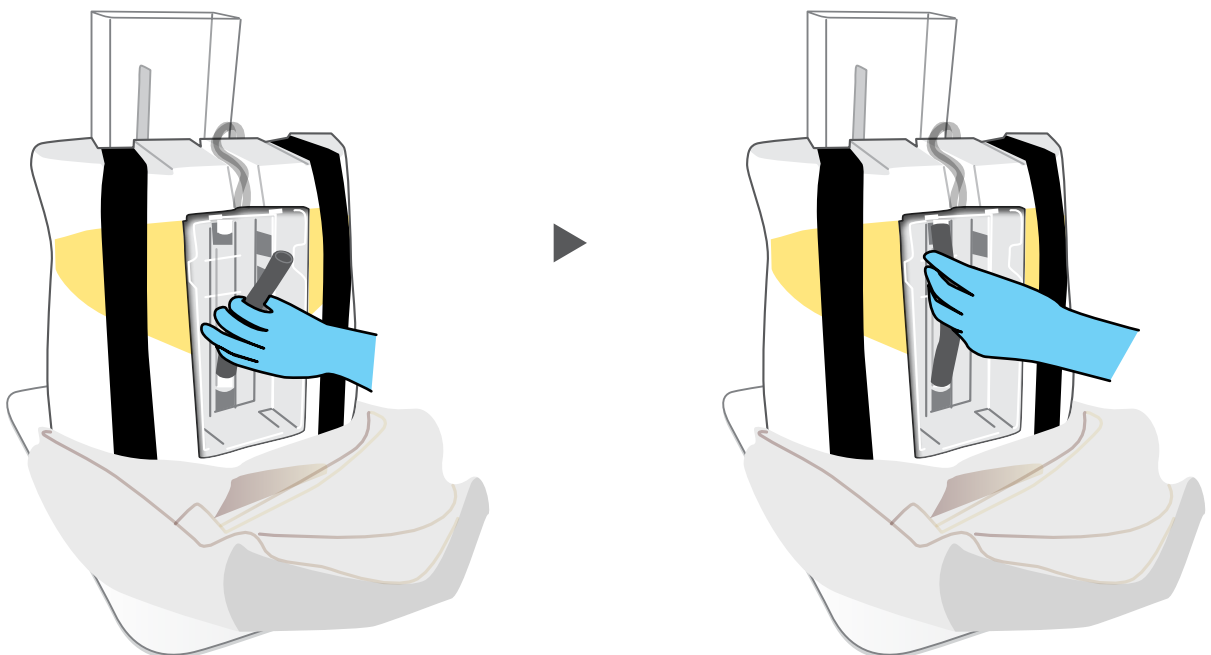
1



2

 Choose a Standard Dura for durability

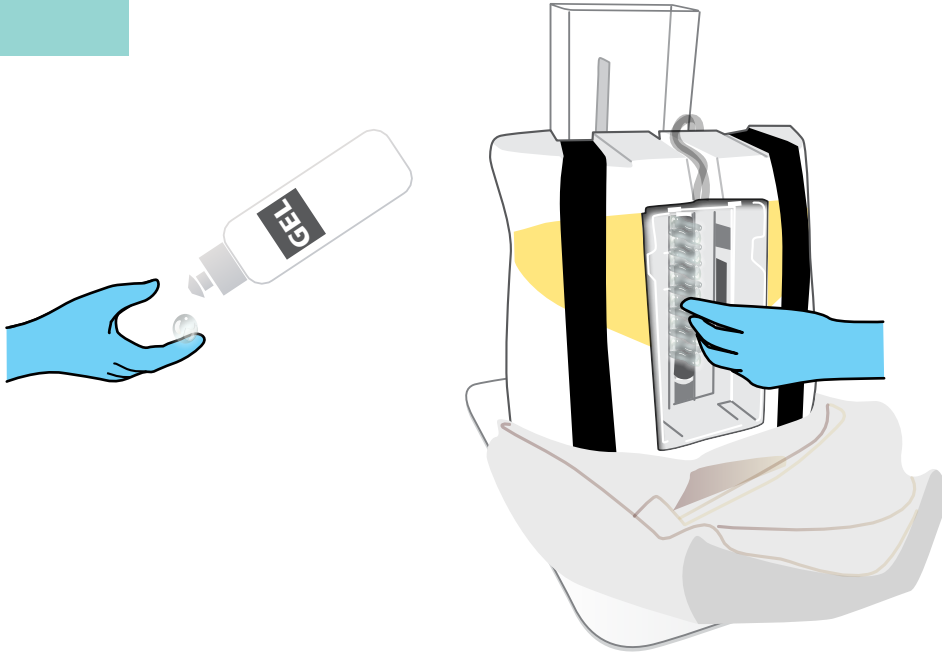
or an Advanced Dura for more realistic training



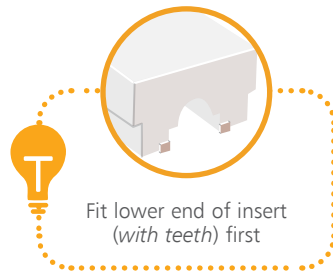
SET UP

CARTRIDGE

3



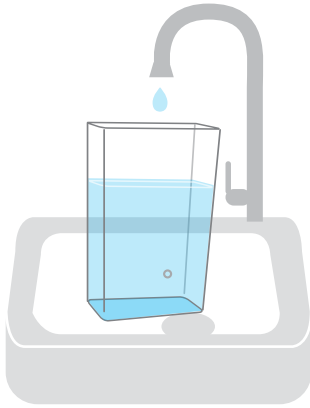
4



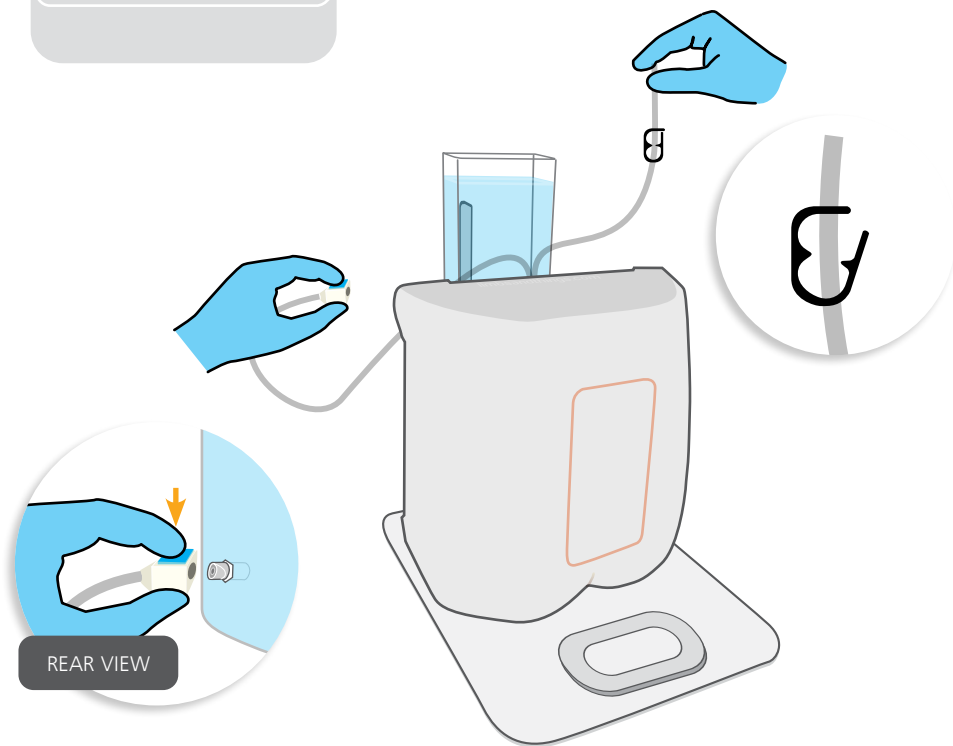
SET UP

DURA

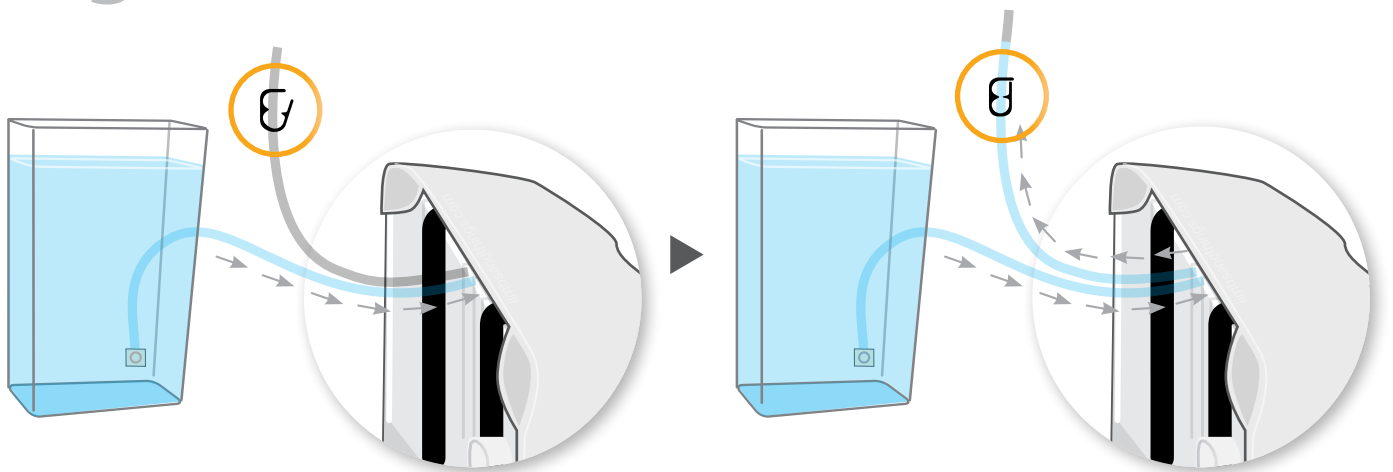
1



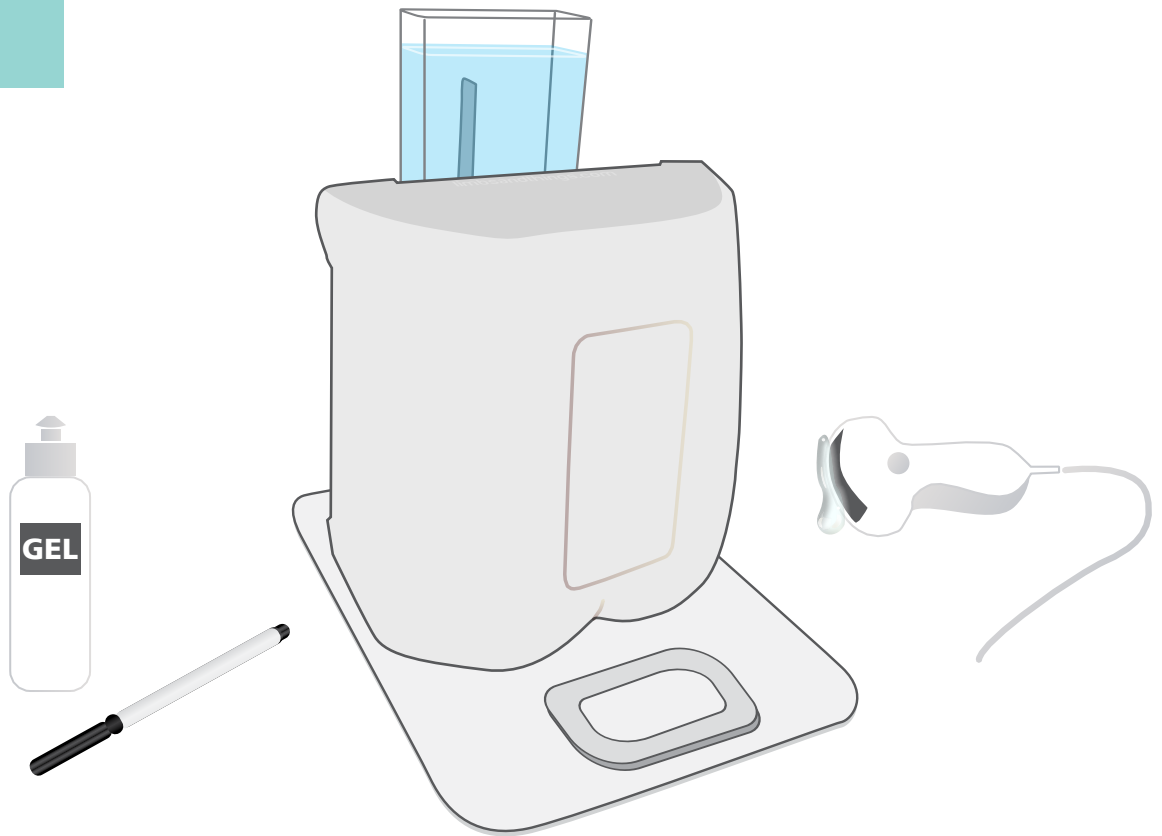
2




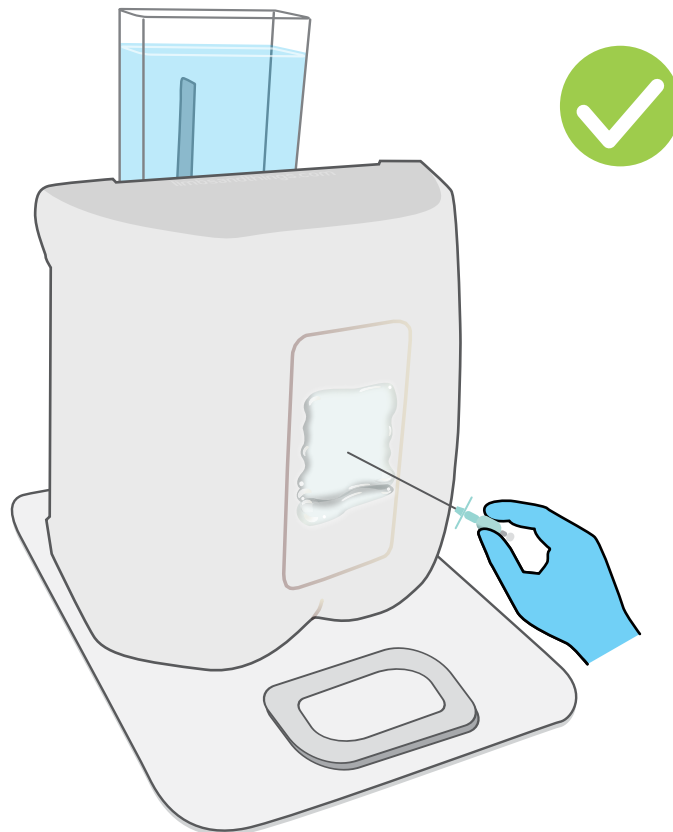
3



SET UP

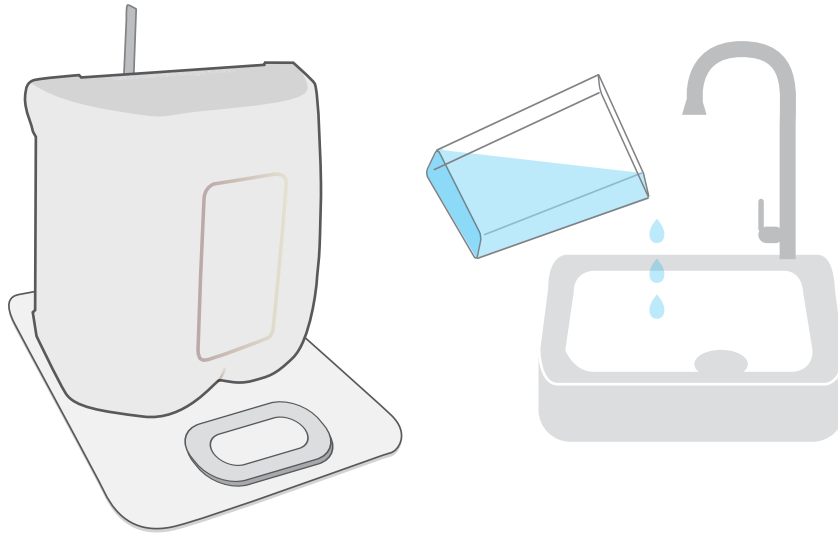



After ultrasound scanning, leave the gel on as you perform the epidural, helping the life of the insert.

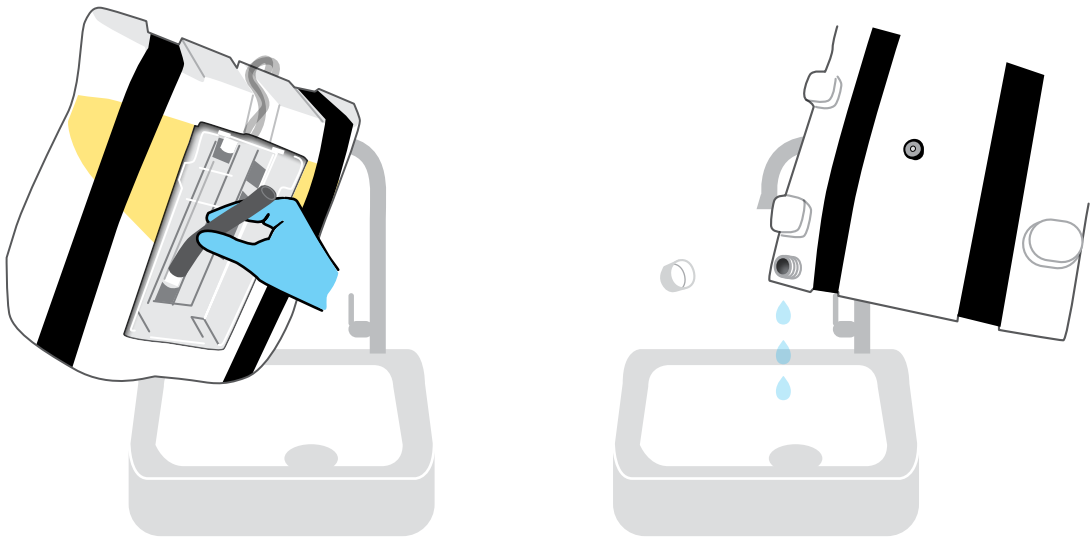


CARE & MAINTENANCE

1



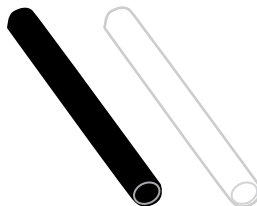
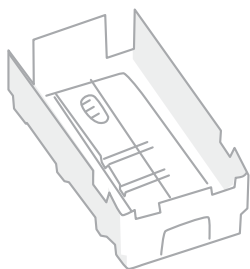
2



3



Dry all the parts with paper towel



Refit all the parts when dry



AUGMENTED REALITY TRAINING (ART)

for your Epidural & Lumbar Puncture Model

SAFETY & CLEANING INSTRUCTIONS

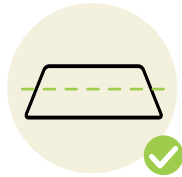
Read the safety instructions carefully before using your ART Mat

DO's



Follow all instructions. Keep these instructions. Heed all warnings

Use mat on flat surface



Only use attachments/accessories specified by Limbs & Things

Refer all servicing to qualified service personnel. Servicing is required when the apparatus has been damaged



DON'Ts



Do not install near any heat sources, do not expose the product to flames or use near naked flame sources. Do not use flammable solvents near or on this product

Do not set up the product near electrical appliances or items damaged by water



Do not cover the graphic of the mat with other items

Do not move the mat with a model on top of it



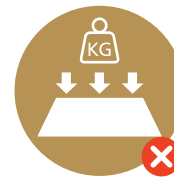
STORAGE



Store rolled up with print on the outside



Don't fold



Don't place heavy objects on top

CLEANING



Can be cleaned with water, soap and non-alcoholic cleaning agents



Avoid abrasive and alcoholic cleaning agents

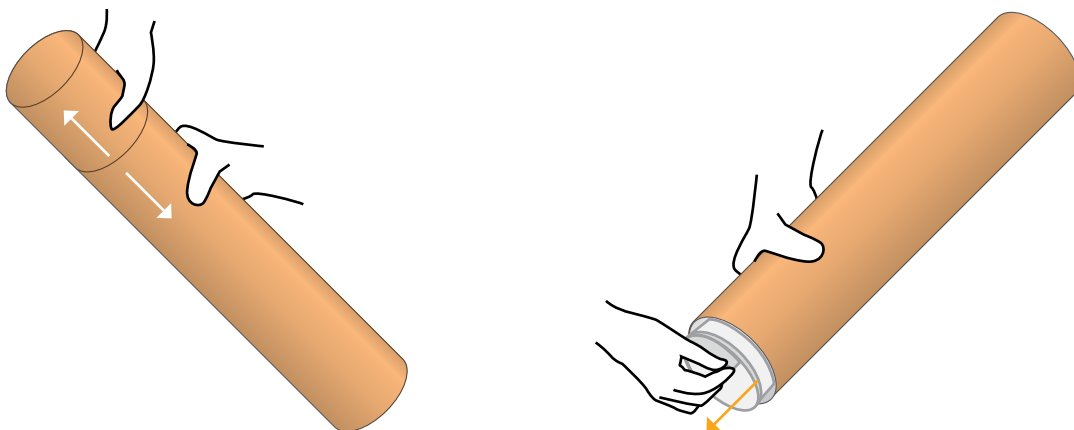


Make sure mat is dry before storing

ART SET UP

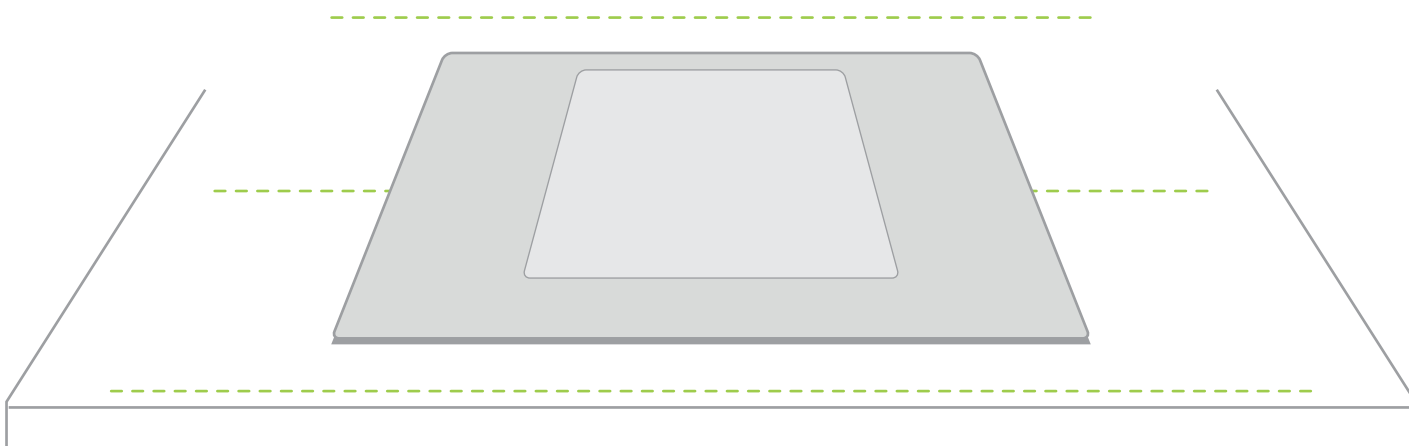
1

Take the mat out of tube



2

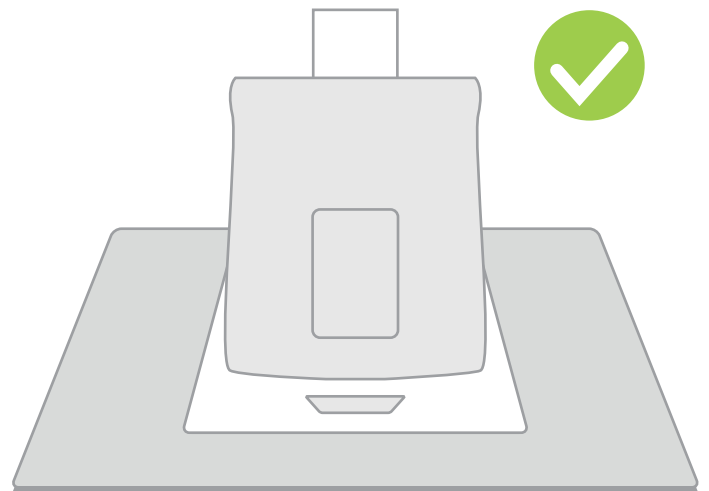
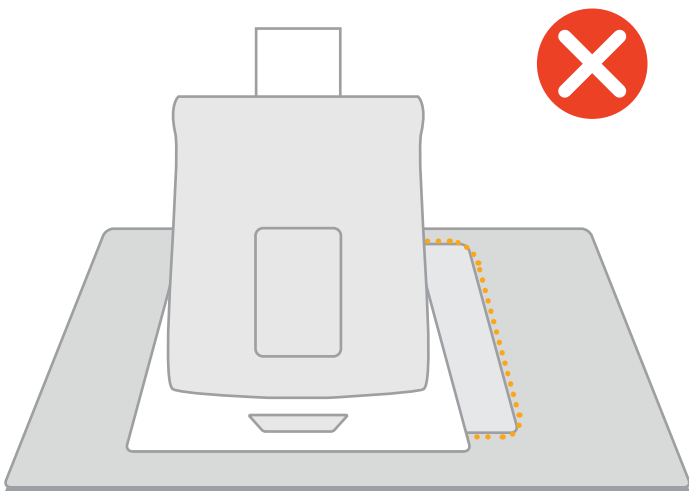
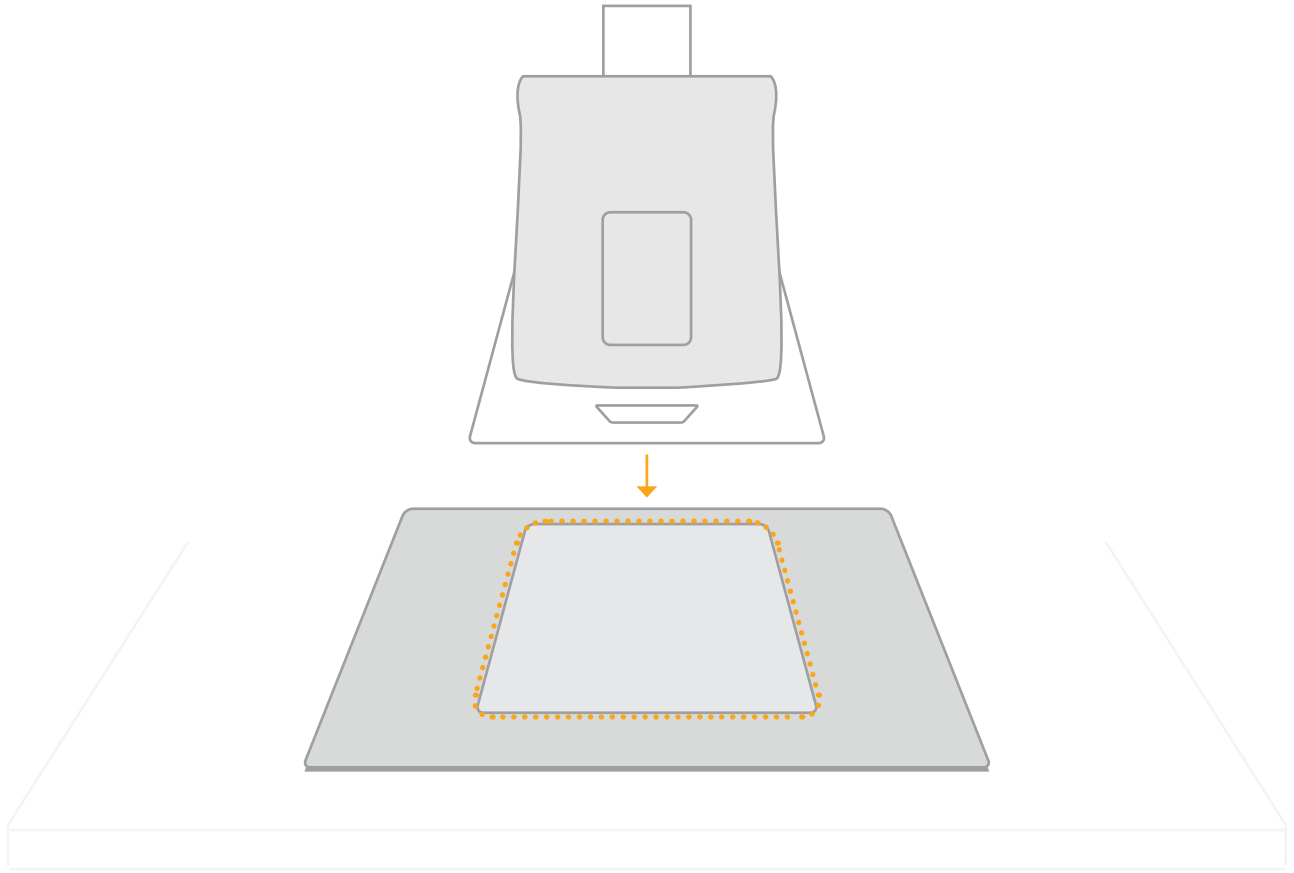
Place the mat on a table



Note: Diagrams are for illustrative purposes, your product may differ from the example shown

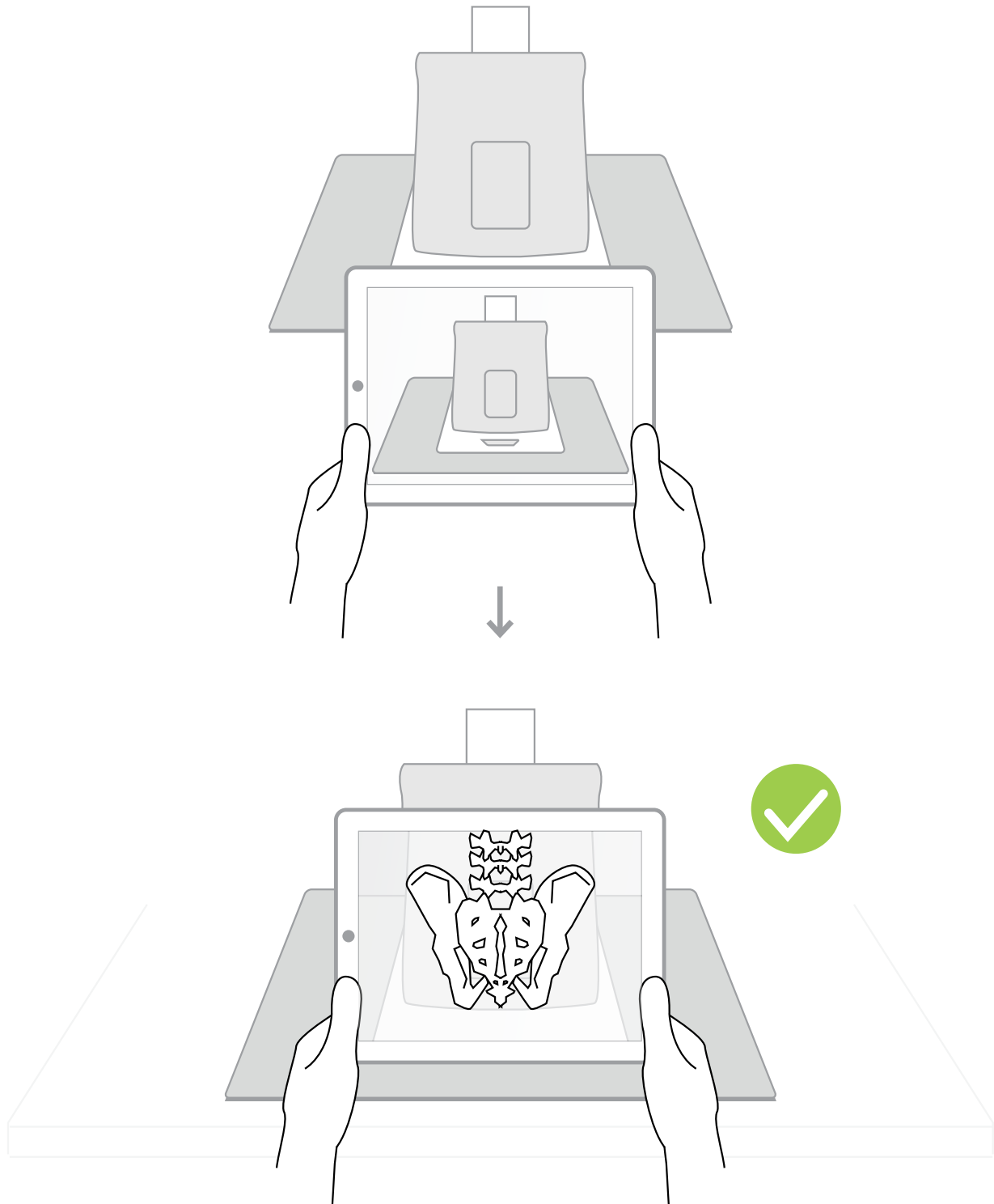
3

Place the model on the designated area of the mat



Note: Diagrams are for illustrative purposes, your product may differ from the example shown

Use the A.R.T. app to scan the mat



For app troubleshooting please visit the website.

Note: Diagrams are for illustrative purposes, your product may differ from the example shown

YOU MAY
ALSO BE
INTERESTED IN...

SONON
ULTRASOUND
IMAGING SYSTEM
CONVEX

HC300C



PARACENTESIS
TRAINER

60100 **60111**

